

RCA

Radiola 42

SERVICE NOTES



RCA Radiola 42

[First Edition—15 M
Copyright, February, 1931]

RCA Victor Company, Inc.

RADIOLA DIVISION

Camden, New Jersey

REPRESENTATIVES IN PRINCIPAL CITIES

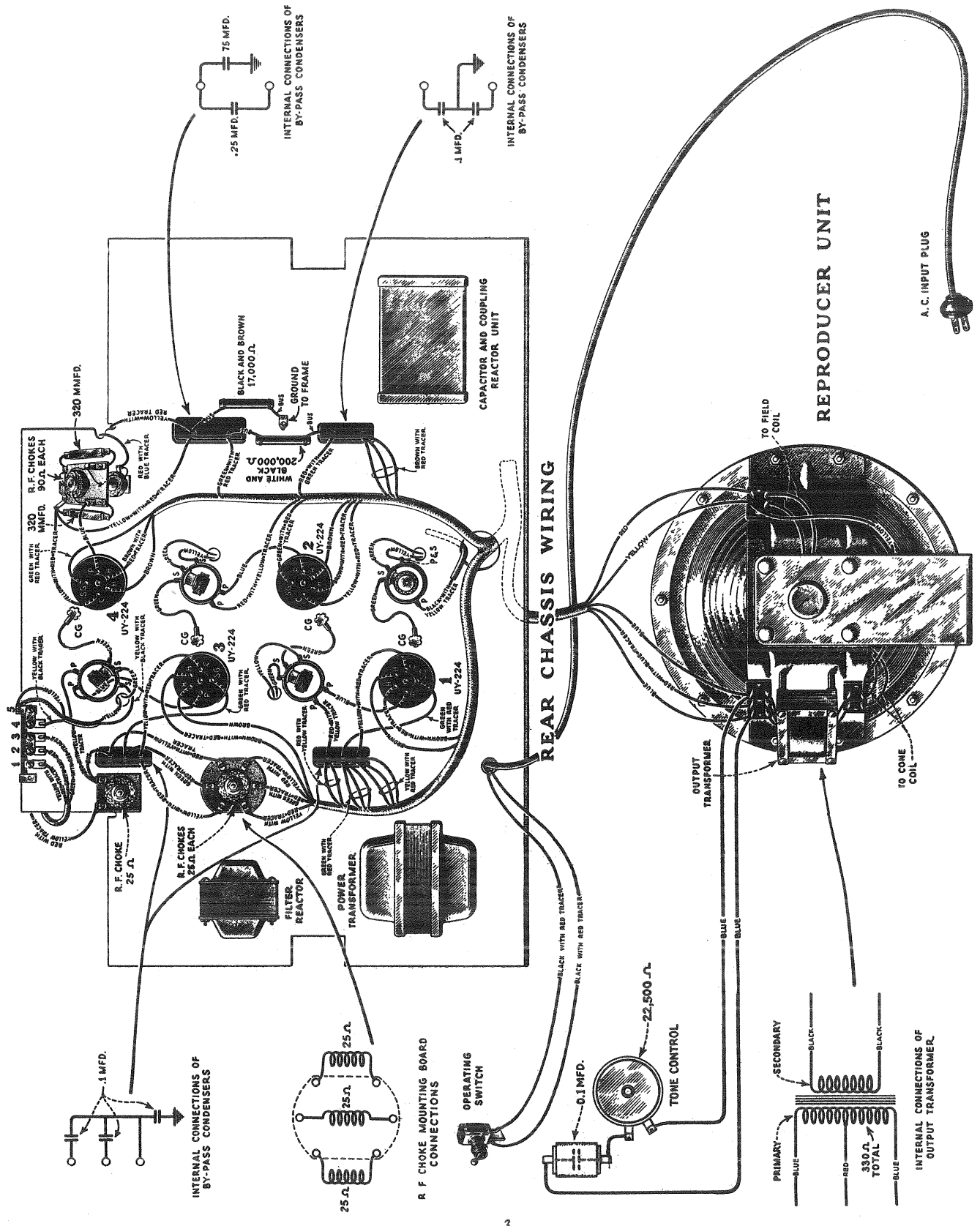


Figure 2—Layout and wiring diagram of chassis (rear) and reproducer unit

RCA RADIOLA 42

SERVICE NOTES

RCA Radiola 42 is a four circuit, tuned radio frequency radio receiver utilizing the chassis and reproducer unit of Radiola 48 together with a tone control. The tone control is mounted on the side directly under the operating switch.

All the information contained in the Radiola 48 Service Notes will therefore apply to the Radiola 42. The wiring diagram is shown in Figures 1 and 2 and the schematic diagram in Figure 3.

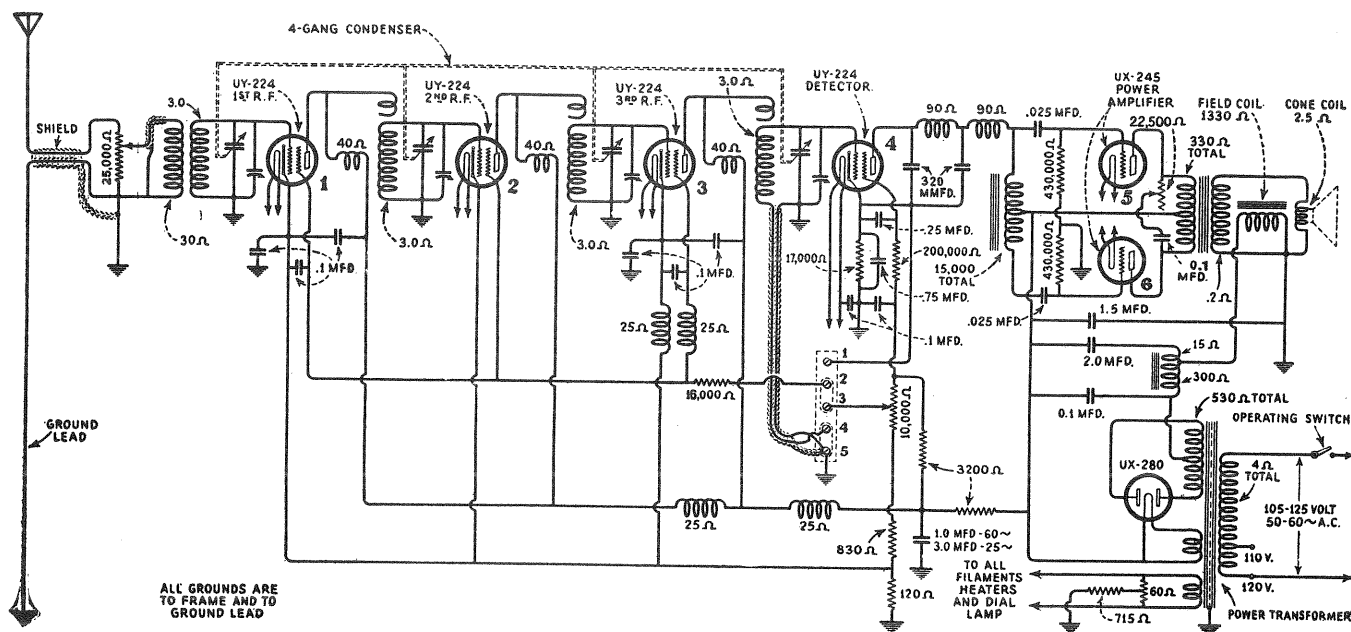


Figure 3—Schematic wiring diagram

It will be noted that a new volume control is used. The antenna section of this unit has a value of 25,000 ohms instead of 50,000 ohms as used in the Radiola 48. This volume control is also being used as a replacement in Radiola 48. The screen grid voltage section has a value of 10,000 ohms and the 12,000 ohm shunt resistor is not used. The 0.005 mfd. condenser across the plates of Radiotrons UX-245 has been omitted due to the connection of the tone control in the same position. When making replacements of the condenser and reactor unit it will be necessary to clip the two leads that are connected to the .005 mfd. condenser close to the container. The reason for this is that the replacement unit supplied is suitable for either the Radiola 42 or 48.

The following list contains the parts used that are not in the Radiola 48 Replacement Parts List.

STOCK NO.	DESCRIPTION
A360	Resistor—Variable tone control resistor—22,500 ohms—(Complete, less knob).
A3028	Washer—For variable resistor unit—(Package of 10).
A2742	Nut—For variable resistor unit—(Package of 5).
A2305	Knob—For variable resistor unit.
A259	Capacitor—Tone control capacitor—.01 mfd.