

# SERVICE NOTES

for

## RCA Victor Console, R-10

RCA Victor Console R-10 is an eight tube, automatic volume control, Pentode output Super-Heterodyne radio receiver. Features of this instrument are, screen grid super-heterodyne, quiet automatic volume control, single Pentode output tube, and the inherent sensitivity, selectivity and tone quality of the Super-Heterodyne circuit. The entire mechanism is housed in a cabinet of excellent construction and pleasing design.

### SERVICE DATA

A reference to the Service Notes on the R-11 will give the details of making R. F. oscillator and I. F. adjustments. Other Service information on this type of receiver is contained in the Service Notes on the RCA Victor Superette R-7. Figure 1 shows the schematic wiring diagram and Figure 2 the wiring diagram. The replacement parts are shown below and the voltage readings on the reverse side.

### REPLACEMENT PARTS

Stock No.	DESCRIPTION	List Price	Stock No.	DESCRIPTION	List Price
<b>RECEIVER</b>					
2563	Resistor—6,000 Ohms—Carbon type—Package of 5 . . .	\$3.00	3252	Resistor—100,000 Ohms—Carbon type—Package of 5 .	\$2.75
2730	Resistor—18,000 Ohms—Carbon type—Package of 5 . .	2.00	7054	Cord—Power cord . . . . .	1.00
2734	Capacitor—745 Mmfd.—Package of 5 . . . . .	2.20	7062	Capacitor—Adjustable oscillator trimmer capacitor . .	1.00
2746	Socket—Tuning dial lamp socket . . . . .	.50	7241	Capacitor—3 gang tuning capacitor . . . . .	8.00
2747	Caps—Grid connector caps—Package of 5 . . . . .	.50	7298	Capacitor—0.01 Mfd. . . . .	.80
2749	Capacitor—2400 Mmfd. . . . .	1.50	7340	Transformer—1st intermediate transformer . . . . .	3.00
2875	Knobs—Volume control, tone control and tuning dial control knob—Package of 5 . . . . .	1.50	7341	Transformer—2d intermediate transformer . . . . .	3.00
2882	Socket—Radiotron socket with insulator—7 used . . .	.50	7342	Capacitor—Comprising two 0.05 Mfd., four 0.5 Mfd., one 10.0 Mfd., two 4.0 Mfd. and four 0.1 Mfd. capacitors in metal container . . . . .	7.85
2968	Socket—Radiotron socket with insulator—1 used . . .	.50	7343	Transformer—Audio transformer . . . . .	3.85
2999	Shaft—Tuning dial drive shaft . . . . .	.50	7344	Transformer—Power transformer—110 volts—60 cycles . . . . .	8.00
3003	Cushions—Receiver chassis rubber cushions—Package of 4 . . . . .	.50	7348	Board—Resistor board less resistors and capacitors . .	2.30
3024	Capacitor—9 Mmfd.—Package of 2 . . . . .	.50	7362	Capacitor—0.025 Mfd. . . . .	1.00
3029	Bracket—Dial lamp bracket and indicator . . . . .	.50	8770	Transformer—Power transformer—110 volts—25 cycles . . . . .	12.00
3045	Resistor—40,000 Ohms—1 Watt—Carbon type—Package of 5 . . . . .	2.50	8771	Transformer—Power transformer—220 volts—60 cycles . . . . .	9.00
3048	Resistor—500,000 Ohms—Carbon type—Package of 5 .	2.50	<b>REPRODUCER</b>		
3049	Resistor—150 Ohms—Carbon type—Package of 5 . . . .	2.50	3237	Screw assembly—Speaker mounting screw assembly—Comprising four screws, four washers, four eyelets, four nuts—Package of 1 set . . . . .	.50
3051	Resistor—5 Megohms—Carbon type—Package of 5 . . .	2.00	7345	Coil assembly—Comprising field coil, cone bracket and magnet . . . . .	5.00
3056	Shield—Radiotron tube shield—Package of 2 . . . . .	.50	8559	Ring—Cone retaining ring . . . . .	.80
3076	Resistor—1 Megohm—Carbon type—Package of 5 . . . .	2.50	8601	Cone—Reproducer paper cone—Package of 5 . . . . .	15.00
3077	Resistor—30,000 Ohms—Carbon type—Package of 5 . . .	2.50	<b>CABINET</b>		
3078	Resistor—10,000 Ohms—Carbon type—Package of 5 . .	2.50	7346	Foot . . . . .	.90
3079	Resistor—40,000 Ohms— $\frac{1}{2}$ Watt—Carbon type—Package of 5 . . . . .	2.50	7347	Moulding—Front top rail end moulding R. H. or L. H.—Package of 2 . . . . .	1.80
3081	Resistor—16,000 Ohms—Carbon type . . . . .	.60	8772	Leg . . . . .	3.75
3092	Control—Volume control complete with mounting nut . . . . .	1.50	8773	Moulding—Front top moulding . . . . .	1.95
3095	Coil—R. F. Coil—Complete with mounting bracket . . .	1.90	8774	Board—Baffle board and grille cloth . . . . .	1.05
3097	Scale—Dial scale and drum with set screw—Package of 2 . . . . .	.50	8775	Stretcher . . . . .	4.40
3234	Tone Control—Tone control and operating switch complete with mounting nut . . . . .	1.90	9392	Cabinet—Cabinet complete less equipment . . . . .	44.65
3235	Coil—Detector and oscillator coil . . . . .	2.85	9393	Top . . . . .	7.00
3236	Escutcheon—Tuning dial escutcheon with mounting screws . . . . .	.75	9394	Panel—Control panel . . . . .	5.65
3241	Resistor—300,000 Ohms—Carbon type—Package of 5 .	2.50			
3251	Coil—Choke coil . . . . .	.90			

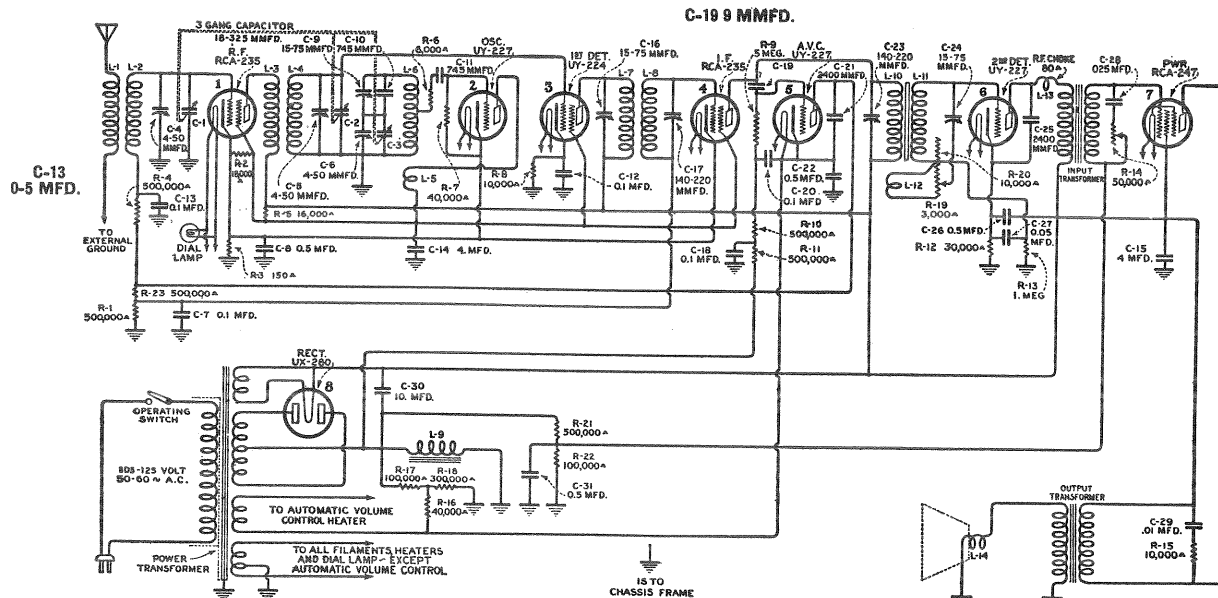


Figure 1—Schematic Wiring Diagram R-10

### RADIOTRON SOCKET VOLTAGES

110 VOLT A. C. LINE

(Volume Control Setting Does Not Affect Voltages)

Radiotron No.	Cathode to Heater Volts, D. C.	Cathode or Filament to Control Grid Volts, D. C.	Cathode or Filament to Screen Grid Volts, D. C.	Cathode or Filament to Plate Volts, D. C.	Plate Current M. A.	Screen Current M. A.	Heater or Filament Volts, A. C.
1	2	*0.1	75	210	5.0	0.5	2.2
2	8	0	—	60	5.0	—	2.2
3	7	7.0	70	205	0.5	0.1	2.2
4	2	*0.1	75	210	5.0	0.5	2.2
5	0	0	—	30	0	—	2.2
6	20	*8.0	—	185	0.5	—	2.2
7	—	10	210	210	25	—	2.2

\*Not true reading due to resistance in circuit.

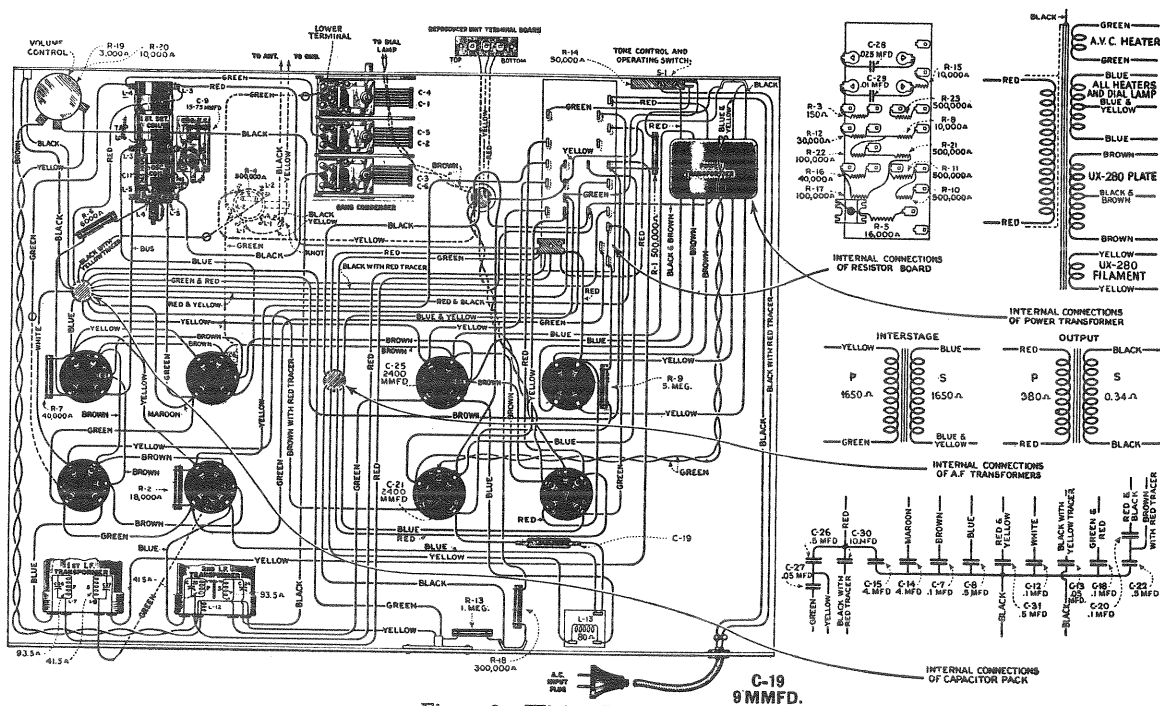


Figure 2—Wiring Diagram R-10

Service Division RCA Victor Company Inc., Camden N. J., U. S. A.