

# SUPPLEMENT

to

# RCA Victor Radiola R-11 Service Notes

Late production of the RCA Victor Radiola R-11 has a slight change in the wiring, two changes in capacitor values and the addition of a 0.5 megohm resistor (R-20). Capacitor C-7 has been changed from 0.5 mfd. to 0.1 mfd. and C-13 from 0.1 mfd. to 0.05 mfd. Resistor R-20 has been added.

Figure 1 shows the revised schematic diagram and Figure 2 the wiring diagram.

The replacement parts listed and supplied are entirely interchangeable with either the old or new models. In the case of the older models, however, the additional black lead supplied in the new capacitor pack should be joined to the old black ground lead. All other capacitor leads are exactly the same and are soldered to the same points.

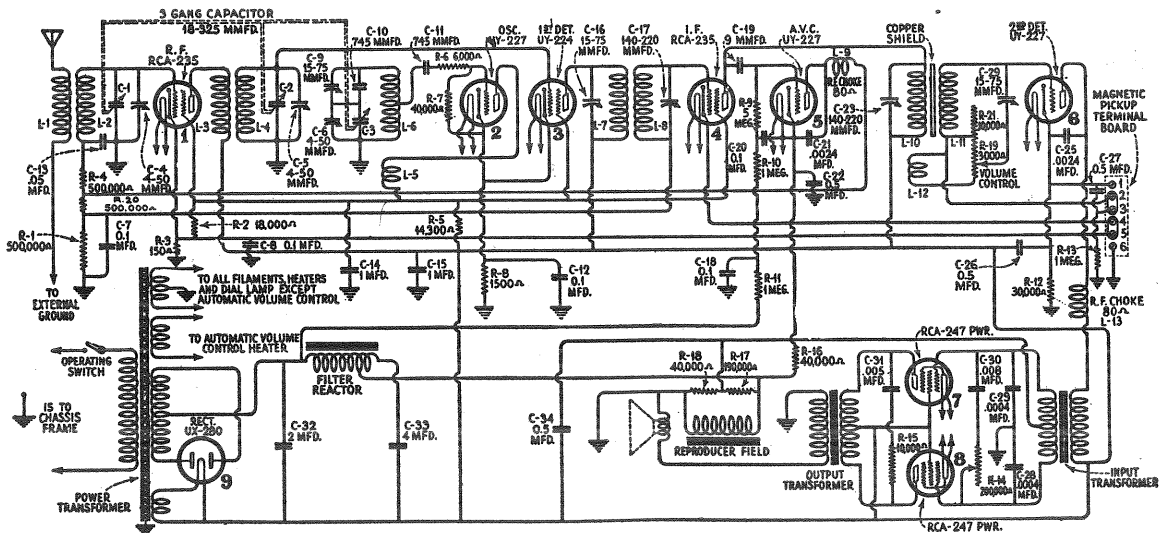


Figure 1—Revised Schematic diagram of late production R-11

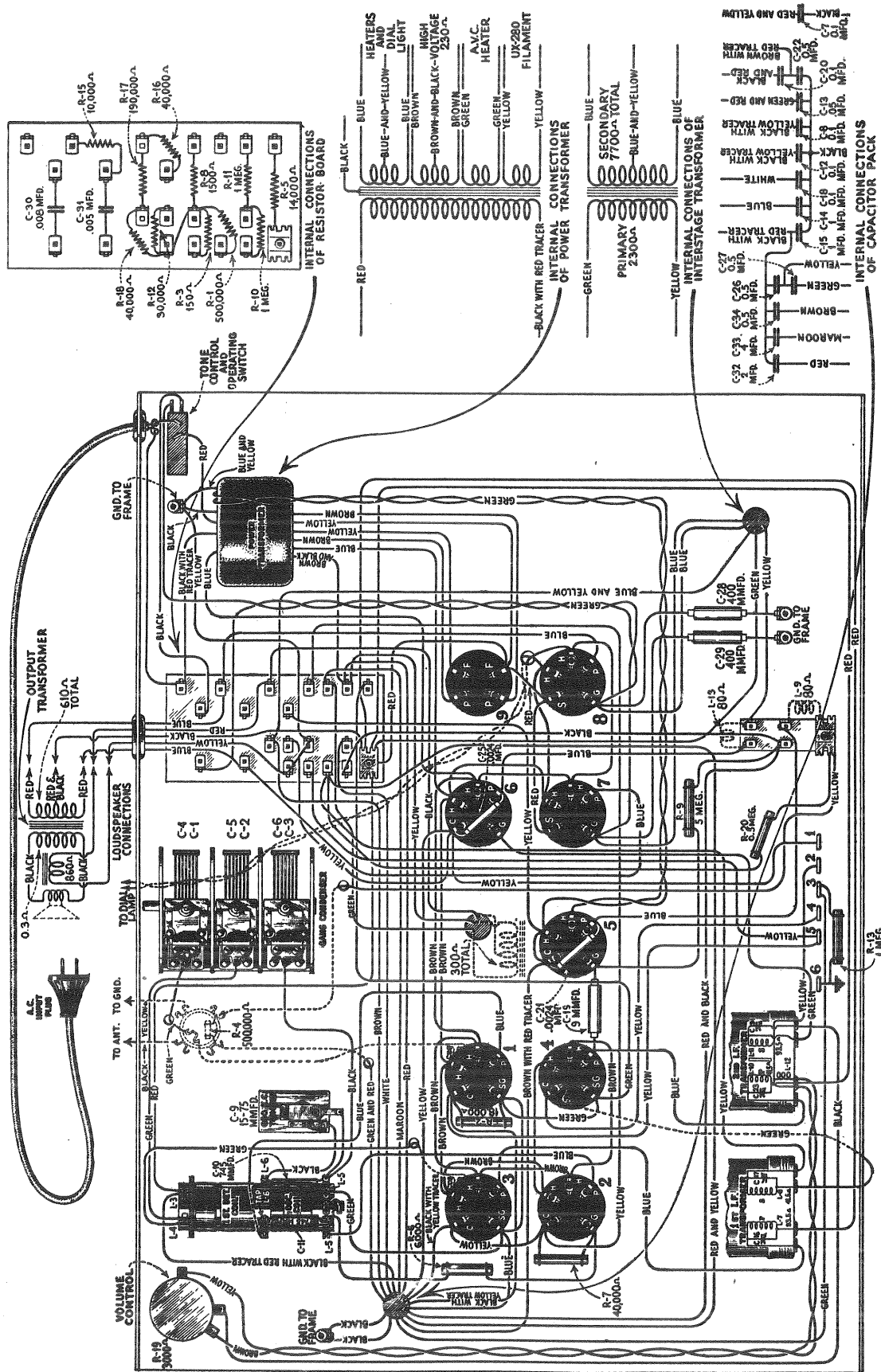


Figure 2—Wiring diagram of late production R-11