

SERVICE NOTES

for

RCA Victor Superette, R-7 D. C.

and

RCA Victor Console, R-9 D. C.

The RCA Victor Superette, R-7 D.C. and the Console, R-9 D.C. are similar to the A.C. Models with the exception that the necessary changes for D.C. operation have been made. The Service Notes on the A.C. Models, therefore, apply to the D.C. Models with the exception of voltage readings and circuit diagrams.

Provision for operation at 220 volts is made by the use of a separate re-

sistance unit which drops the voltage to 110. This unit should be located in a place that is well ventilated and it should not come in contact with any wood or cloth material other than that upon which it is resting.

An interlock is provided on the cabinet back so that access to the parts cannot be made without opening the power supply. However, when service work is being performed, it may be

necessary to run jumpers from the back to the connection block so that operation of the receiver may be secured. *Never make these interlocks inoperative except under these conditions.* They are designed for protection of the customer.

The replacement parts are shown in the following list and the voltage readings on the reverse side. Figure 1 shows the schematic diagram and Figure 2 the wiring diagram.

REPLACEMENT PARTS

Part No.	DESCRIPTION	List Price	Part No.	DESCRIPTION	List Price
PARTS COMMON TO R-7 D.C. AND R-9 D.C.					
2240	Resistor—30,000 Ohms—Carbon type.....	\$0.70	3005	Screw Assembly—Loudspeaker Screws, Nuts, Eyelets and Washers—Package of 1 set of four each (for R-7).....	\$.50
2546	Resistor—1 Megohm—Carbon type—Package of 5.....	3.00	3045	Resistor—40,000 ohms—Carbon type—Package of 5.....	2.50
2731	Resistor—10,000 Ohms—Carbon type—Package of 5.....	2.00	3071	Plug—Male and Female power plug—used as interlock—Set of 2 Complete plugs.....	1.60
2746	Socket—Dial lamp socket.....	.50	3072	Resistor Unit—Resistor Unit complete for use on 220 volt D.C. lines.....	19.00
2749	Capacitor—2,400 Mmfd.—Used as 2nd Detector R.F. by-pass capacitor.....	1.50	3073	Switch—Operating switch.....	.80
2875	Knob—Station Selector, Tone Control or Volume Control Knob—Package of 5.....	1.50	7054	Cord—Power Cord and Plug.....	1.00
2881	Bracket—Dial lamp bracket—Package of 5.....	.50	7062	Condenser—Adjustable Oscillator trimming condenser.....	1.00
2882	Socket—Five prong Radiotron Socket complete with insulating shield—Five used.....	.50	7238	Capacitor Pack—R.F. by-pass capacitor pack in metal container.....	3.50
2946	Escutcheon—Station Selector Escutcheon.....	.60	7239	Transformer—A.F. transformer assembly in metal container.....	6.00
2968	Socket—Four prong Radiotron Socket complete with insulating shield—Two used.....	.50	7240	Reactor—Filter reactor.....	5.50
2973	Board—Magnetic Pickup terminal board complete with terminals and screws—Package of 2.....	.50	7241	Condenser—3-gang tuning condenser complete with mounting washers and screws.....	8.00
2990	Resistor—4,500 ohms—Carbon type—Package of 5.....	2.50	8559	Ring—Cone retaining ring.....	.80
2991	Transformer—1st I. F. Transformer complete with shield and mounting screws.....	3.00	8601	Cone—Cone complete—Package of 5.....	15.00
2992	Transformer—2nd I. F. Transformer complete with shield and mounting screws.....	3.00	8639	Coil—Loudspeaker field coil complete with cone support.....	5.00
2993	Board—Resistor mounting board complete with terminals and mounting brackets—less resistors.....	1.00	9323	Loudspeaker—Loudspeaker unit complete.....	8.70
2994	Coil—2nd Detector R.F. Choke Coil complete with rivet.....	.60	9338	Receiver Assembly—Receiver Assembly complete—less loudspeaker and Radiotrons.....	40.00
2995	Volume Control—complete less knob—Package of 5.....	6.00	SPECIAL PARTS FOR R-9 D.C.		
2996	Tone Control—Complete less knob—Package of 5.....	6.00	3070	Bolts—Speaker mounting bolts, nuts and washers—Package of 2.....	.50
2997	Coil—R.F. coil complete with mounting washer and nut.....	1.90	7222	Foot.....	.50
2998	Coil—1st Detector and Oscillator Coil assembly complete with mounting washers and nuts.....	2.40	8664	Control panel.....	7.50
2999	Shaft—Dial Scale drive shaft complete with mounting screws and lock washers.....	.50	8665	Board—Baffle board complete with grille cloth.....	1.00
3000	Scale—Dial drum and scale complete with set screws.....	.60	9329	Stretcher.....	4.50
3001	Resistor—1.9 Ohms—Porcelain resistor used in parallel with dial lamp.....	.60	9331	Top.....	3.25
3002	Resistor—20 Ohms—Porcelain resistor used across UX-245 filaments.....	.60	9332	Post—Front post R. H.....	2.50
3003	Cushion—Sponge Rubber Cushions—Package of 4.....	.50	9333	Post—Back post R. H.....	2.50
3004	Resistor—Porcelain type—180 Ohms—used as heater supply resistor—Three used.....	1.80	9334	Post—Front post L. H.....	2.50
			9335	Post—Back post L. H.....	2.50
			9350	Cabinet—R-9 D.C. cabinet complete—Less all equipment.....	55.00
			9357	Door—Rear cabinet door.....	5.00
			SPECIAL PARTS FOR R-7 D.C.		
			7242	Cloth—Grille cloth complete with baffle board.....	1.00
			9322	Panel—R-7 D.C. back panel—Less resistors and power cord.....	2.00
			9325	Cabinet—R-7 cabinet—Walnut—Less back panel.....	15.00

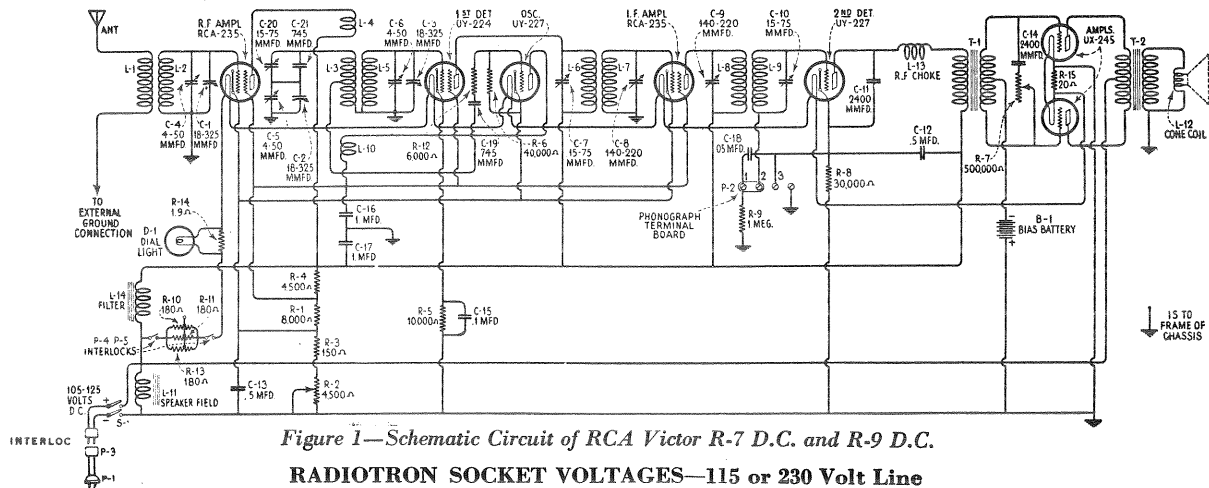


Figure 1—Schematic Circuit of RCA Victor R-7 D.C. and R-9 D.C.

RADIOTRON SOCKET VOLTAGES—115 or 230 Volt Line
(Separate Resistance Unit Used with 230 Volt Line)

Tube No.	Cathode to Heater Volts, D.C.	Cathode or Filament to Control Grid Volts, D.C.	Cathode to Screen Grid Volts, D.C.	Cathode or Filament to Plate Volts, D.C.	Plate Current M. A.	Screen Grid Current M. A.	Heater or Filament Volts, A.C.
VOLUME CONTROL AT MINIMUM							
1	40	30	40	75	0	0	2.3
2	20	0	—	40	2.0	—	2.3
3	6.0	3.5	65	100	.25	—	2.3
4	17.0	26	40	75	.0	0	2.3
5	2.0	*2.0	—	90	.23	—	2.3
6	—	25.0	—	100	4.0	—	2.3
7	—	*25.0	—	100	4.0	—	2.3
VOLUME CONTROL AT MAXIMUM							
1	10.0	2.0	50	100	3.5	**0.5	2.3
2	6.0	.0	—	50	3.0	—	2.3
3	8.0	5.0	50	100	0.5	.0	2.3
4	10.0	2.0	50	100	2.5	**1.0	2.3
5	2.0	*2.0	—	90	.25	0	2.3
6	—	*25.0	—	100	4.0	—	2.3
7	—	*25.0	—	100	4.0	—	2.3

* Not true reading due to resistance in circuit

** This may be plus or minus depending on age of tubes

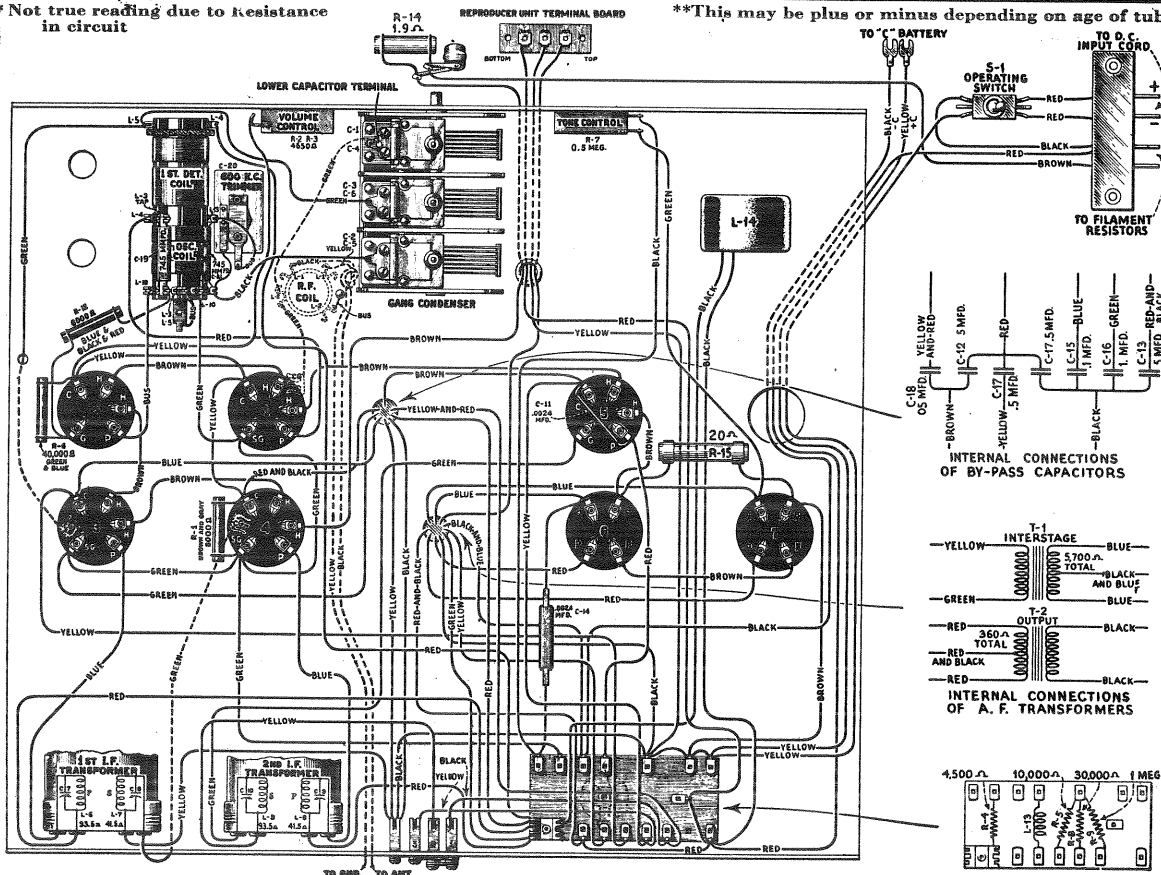


Figure 2—Wiring Diagram of RCA Victor R-7 D.C. or R-9 D.C.

International
Division

RCA Victor Company, Inc.

Camden, N. J.
U. S. A.