

SERVICE NOTES

for

RCA Victor Model RE-16A

The RCA Victor Model RE-16A is a radio phonograph combination instrument that utilizes the standard RCA Victor R-7A chassis and loud-speaker together with the phonograph equipment used in RCA Victor combination instruments. This consists of the low impedance magnetic pickup and inertia type tone arm, induction disc motor, radio-record switch and record volume control. A manually operated automatic switch, similar to that used in the T-5 Electrola is included in the motor and turntable assembly.

Service information, other than that pertaining to replacement parts, may be obtained from Service Notes already issued on the RCA Victor R-7A and the RCA Radiola 86.

The schematic wiring diagram is shown in Figure 1 and the assembly wiring in Figure 2. The chassis wiring, with the exception of the power leads added for the phonograph motor, is the same as that shown in the RCA Victor R-7A Service Notes.

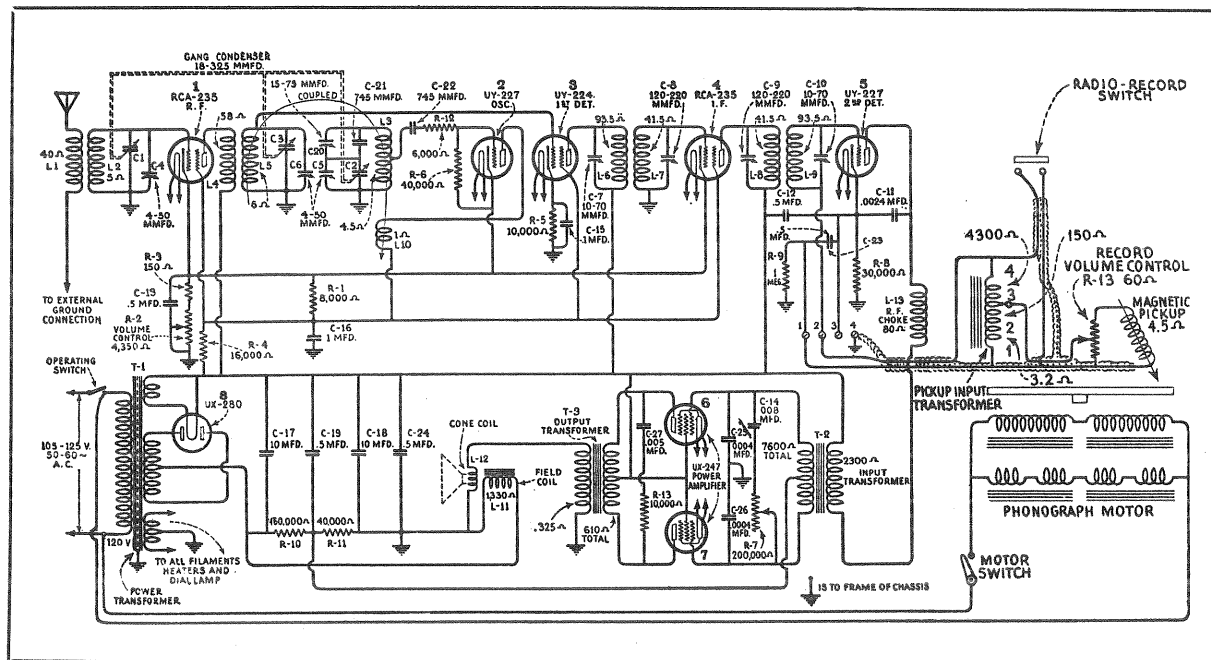


Figure 1—Schematic Wiring Diagram of Model RE-16A

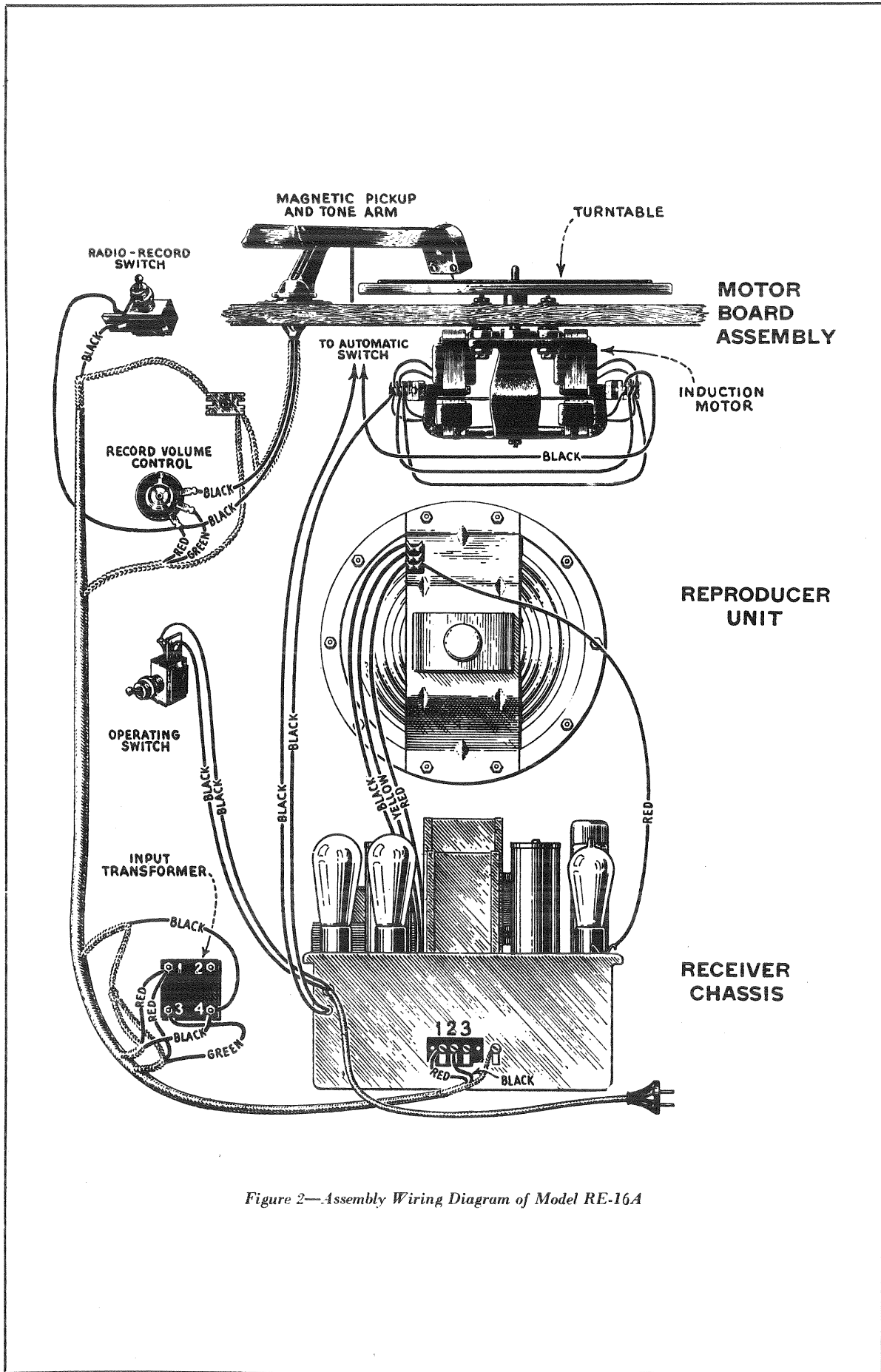


Figure 2—Assembly Wiring Diagram of Model RE-16A

REPLACEMENT PARTS

Stock No.	DESCRIPTION	List Price	Stock No.	DESCRIPTION	List Price
RECEIVER ASSEMBLY					
2563	Resistor—6000 ohms—Carbon type—1 watt—Package of 5	\$3.00	2759	Box—Needle box with lid—Package of 2	\$0.60
2734	Capacitor—745 mmfd.—Package of 5	2.20	2762	Bearing assembly—Governor bearing assembly—Comprising 2 bearings, 2 set screws and 2 steel balls—Package of 3 sets	50
2745	Screw—Adjusting condenser screw for No. 7062—Package of 10	.50	2763	Bolt assembly—Motor mounting bolts with nuts, washers and rubber cushions—Package of 1 set	1.00
2746	Socket—Dial lamp socket	.50	2764	Spindle—Turntable spindle	.80
2747	Cap—Grid contactor cap—Package of 5	.50	2765	Screw—Pickup needle screw—Package of 10	.80
2749	Capacitor—2400 mmfd.	1.50	2766	Screw—Pickup cover mounting screw—Package of 10	.50
2875	Knob—Tuning volume control or tone control knob—Package of 5	1.50	2767	Spring—Pickup magnet spring—Package of 10	.50
2881	Bracket—Dial lamp bracket—Package of 5	.50	2768	Armature—Pickup armature	.50
2882	Socket—UY Radiotron socket—7 used	.50	2770	Plate—Pickup damper plate—Package of 5	.50
2957	Capacitor—10 mfd. electrolytic capacitor	3.00	2771	Screw—Damper plate mounting screw—Package of 10	.50
2963	Resistor—8000 ohms—Carbon—1 watt—Package of 5	2.50	2772	Magnet—Pickup magnet	2.60
2968	Socket—UX Radiotron socket—1 used	.50	2773	Pole shoe—R. H. pole shoe	.50
2973	Board—Magnetic pickup terminal board	.50	2778	Pole shoe—L. H. pole shoe	.50
2991	Transformer—1st intermediate transformer	3.00	2781	Felt—Regulating lever friction felt—Package of 20	.50
2992	Transformer—2nd intermediate transformer	3.00	2828	Screw assembly—Pickup mounting screw, nut and washer—Package of 10 sets	.60
2994	Coil—2nd detector plate coil—Complete with mounting rivet	.60	2829	Knob—Motor board knob and screw—Package of 2	.50
2995	Volume control—Complete less knob—Package of 5	6.00	2872	Ball and spring—Governor ball and spring with mounting screws and washers—Package of 5	.75
2997	Coil—R. F. coil—Complete with mounting nuts and washers	1.90	2873	Screw assembly—Top plate screw assembly—Comprising screw, nut, lock washer and ball bearing—Package of 5 sets	.50
2998	Coil—1st detector and oscillator coil—Complete with mounting nuts and washers	2.40	3052	Screw assembly—Pickup pole shoe mounting screw, nut and washer—Package of 10 sets	.50
2999	Drive shaft—Tuning dial drive shaft with mounting screws and washers	.50	3102	Receptacle—Tungstone needle box receptacle	.75
3000	Scale—Dial scale and drum with set screws	.60	6118	Coil—Pickup coil	.50
3003	Cushions—Sponge rubber chassis support cushions—Package of 4	.50	7077	Regulator—Speed regulator escutcheon and screw—Complete with mounting screws—Package of 2	.60
3056	Shield—Radiotron shield—3 used—Package of 2	.50	7078	Volume control—Record volume control—Complete with mounting nut and washer—Less knob	1.50
3060	Resistor—40,000 ohms—Carbon—1 watt—Package of 5	2.50	7083	Transformer—Input transformer	5.00
3062	Board—Loudspeaker terminal board—Package of 3	.50	7084	Cover—Turntable cover	.50
3076	Resistor—1 megohm—Carbon— $\frac{1}{2}$ watt—Package of 5	2.50	7086	Lever—Regulating lever with friction felt—Package of 2	.50
3077	Resistor—30,000 ohms—Carbon— $\frac{1}{2}$ watt—Package of 5	2.50	7087	Gear—Governor drive gear with set screw	.50
3078	Resistor—10,000 ohms—Carbon— $\frac{1}{2}$ watt—Package of 5	2.50	7088	Disc—Rotor disc	4.00
3079	Resistor—40,000 ohms—Carbon— $\frac{1}{2}$ watt—Package of 5	2.50	7090	Inductor—Inductor coil—110 volts, 60 cycles	10.00
3080	Resistor—160,000 ohms—Carbon— $\frac{1}{2}$ watt—Package of 5	2.50	7093	Cover—Pickup cover	.50
3081	Resistor—16,000 ohms—Carbon—3 watts	.60	7151	Back—Pickup housing back	.50
3082	Board—Resistor board—Complete, less resistors, coil and capacitor	1.00	7247	Cable—Main cable	2.50
3084	Capacitor—0.008 mfd. for tone control	.70	7248	Inductor—Inductor coil—220 volts	15.00
3085	Capacitor—400. mmfd.	.60	7412	Pickup—Pickup unit complete	12.50
3093	Tone control—Tone control and operating switch—Complete, less knob	1.90	8582	Turntable—Turntable with cover	3.00
7054	Cord—Power cord	1.00	8675	Arm—Pickup suspension arm and base	3.50
7062	Capacitor—Adjustable oscillator trimming capacitor—15-70 mmfd.	1.00	10129	Ball—Steel ball bearing— $\frac{3}{16}$ "—Package of 20	.50
7241	Capacitor—3 gang tuning capacitor	8.00	10174	Spring—Automatic brake springs—Set of 4 springs—Package of 2 sets	.50
7255	Transformer—Interstage audio transformer	4.50	10175	Holder—Needle holder with mounting screws	.70
7256	Capacitor pack—Comprising one 0.005 mfd., five 0.5 mfd., one 1.0 mfd. and one 1.0 mfd. capacitor in metal container	3.50	10181	Brake—Automatic brake—Complete, less contact switch No. 2614	2.50
8570	Shield—Intermediate transformer shield	.60	10196	Spring—Regulating shaft spring—Package of 10	.50
8654	Transformer—Power transformer—220 volts, 50-60 cycles	11.00	10266	Disc—Rotor disc—For 220 volt motor	4.00
8679	Transformer—Power transformer—105-125 volts, 50-60 cycles	9.00	10289	Governor—Governor complete with spindle	2.50
7413	Screw assembly—Speaker mounting screw assembly—Comprising 2 plates, 2 bolts, 2 lock washers and 2 nuts—Package of 1 set	.50	10378	Plate—Top plate	5.00
8559	Ring—Cone retaining ring	.80	CABINET ASSEMBLY		
8601	Cone—Speaker paper cone—Package of 5	15.00	2785	Hinge—Lid hinge with mounting screws—Package of 2	.50
8653	Coil—Speaker field coil assembly—Comprising field coil, magnet and cone support	5.00	3020	Escutcheon—Control panel tuning dial escutcheon—Complete with mounting screws	.60
MOTOR BOARD ASSEMBLY					
2614	Switch—Automatic brake switch	1.40	7082	Support—Lid support with mounting screws	2.00
2620	Cushions—Pickup rubber cushions—Comprising 1 damper and 2 pivot cushions—Package of 5 sets	1.25	7249	Ornament—Front top rail ornament	1.00
			8676	Leg	1.50
			8677	Foot—Cabinet foot with ferrule	.75
			8678	Baffle board and grille cloth	1.50
			9361	Control panel	12.00
			9362	Stretcher	4.00
			9363	Lid	6.00
			9400	Cabinet—Cabinet complete, less equipment	75.00

International Division
RCA Victor Company, Inc.
Camden, N. J., U. S. A.