

SERVICE NOTES

for

RCA Victor Model RE-16

The RCA Victor Model RE-16 is a radio phonograph combination instrument that utilizes the standard RCA Victor Superette chassis and loudspeaker together with the phonograph equipment used in RCA Victor combination instruments. This consists of the low impedance magnetic pickup and inertia type tone

arm, induction disc motor, radio-record switch and record volume control. A manually operated automatic switch, similar to that used in the T-5 Electrola is included in the motor and turntable assembly.

Service information, other than that pertaining to replacement parts, may be obtained from Service Notes already

issued on the RCA Victor Superette and the RCA Radiola 86.

The schematic wiring diagram is shown in Figure 1 and the assembly wiring in Figure 2. The chassis wiring, with the exception of the power leads added for the phonograph motor, is the same as that shown in the RCA Victor Superette Service Notes.

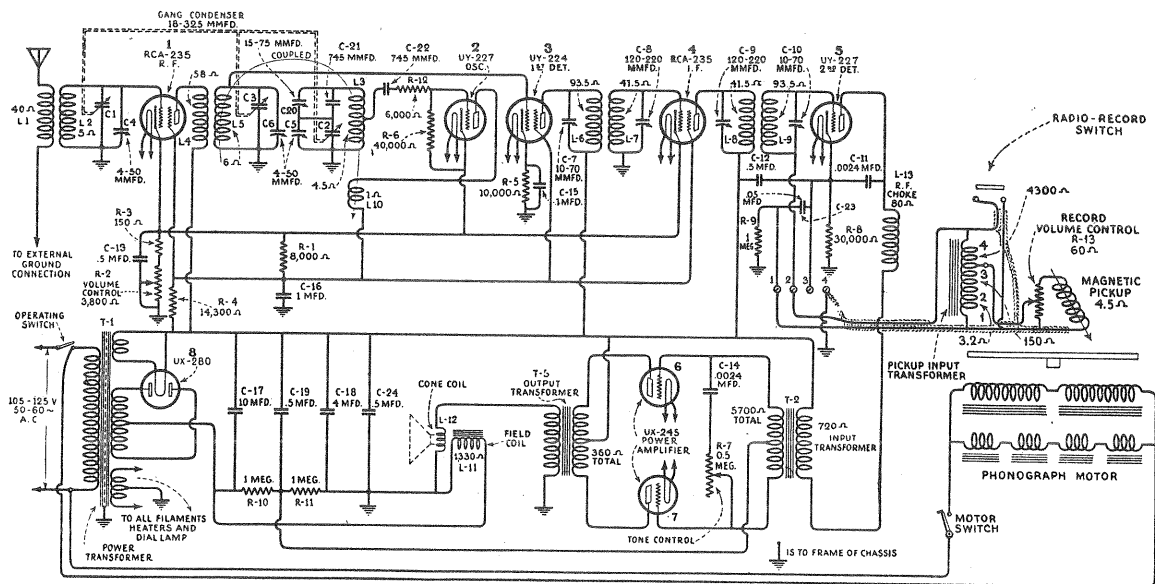


Figure 1—Schematic Wiring Diagram of Model RE-16

REPLACEMENT PARTS

Stock No.	DESCRIPTION	List Price	Stock No.	DESCRIPTION	List Price
2614	Switch—Automatic brake switch	\$1.40	3102	Receptacle—Needle box receptacle	\$0.75
2620	Cushions—Pickup rubber cushions—Comprising 1 damper and 2 pivot cushions—Package of 1 set	.50	7077	Regulator—Speed regulator escutcheon and screw—Complete with mounting screws—Package of 2	.60
2759	Box—Needle box with lid—Package of 2	.60	7082	Support—Lid support with mounting screws	2.00
2762	Bearing assembly—Governor bearing assembly—Comprising 2 bearings, 2 set screws and 2 steel balls—Package of 3 sets	.50	7083	Transformer—Input transformer with mounting screws	5.00
2763	Bolts assembly—Motor mounting bolts with nuts, washers and rubber cushions—Package of 1 set	1.00	7084	Cover—Turntable cover	.50
2764	Spindle—Turntable spindle	.80	7085	Pickup—Pickup unit complete	12.50
2765	Screw—Pickup needle screw—Package of 10	.80	7086	Lever—Regulating lever with friction felt—Package of 2	.50
2766	Screw—Pickup cover mounting screw—Package of 10	.50	7087	Gear—Governor drive gear with set screw	.50
2767	Spring—Pickup magnet spring—Package of 10	.50	7088	Disc—Rotor disc	4.00
2768	Armature—Pickup armature	.50	7089	Governor—Governor complete with spindle	2.50
2769	Coil—Pickup coil	.50	7090	Inductor—Inductor coil—60 cycles—110 Volts	10.00
2770	Plate—Pickup damper plate—Package of 5	.50	7093	Cover—Pickup cover	.50
2771	Screw—Damper plate mounting screw—Package of 10	.50	7151	Back—Pickup housing back	.50
2772	Magnet—Pickup magnet	2.60	7247	Cable—Main cable	2.50
2773	Pole piece—R. H. pole piece	.50	7248	Inductor—Inductor coil—220 Volts	15.00
2778	Pole piece—L. H. pole piece	.50	8582	Turntable—Turntable with cover	1.00
2781	Felt—Regulating lever friction felt—Package of 20	.50	8675	Arm—Pickup suspension arm and base	3.50
2785	Hinge—Lid hinge with mounting screws—Package of 1 set of 2	.50	8676	Leg—Cabinet leg	1.50
2828	Screw assembly—Pickup mounting screw, nut and washer—Package of 10 sets	.60	8677	Foot—Cabinet foot with ferrule	.75
2829	Knob—Motor board knob and screw—Package of 2	.50	8678	Baffle—Baffle board with grille cloth	1.50
2872	Ball and spring—Governor ball and spring with mounting screws and washers—Package of 5	.75	9360	Cabinet—Complete less all apparatus	75.00
2873	Screw assembly—Top plate screw assembly—Comprising screw, nut, washer and ball bearing—Package of 5 sets	.50	9361	Panel—Control panel	12.00
2875	Knob—Control knob—Package of 5	1.50	9362	Stretcher	4.00
3020	Escutcheon—Control panel escutcheon with mounting screws	.60	9363	Lid—Cabinet lid	6.00
3052	Screw assembly—Pickup pole piece mounting screw, nut and washer—Package of 10 sets	.50	10129	Ball—Steel ball bearings— $\frac{1}{8}$ "—Package of 20	.50
3100	Control—Record volume control—Complete with mounting nut and washer—Less knob	1.50	10174	Springs—Automatic springs—Set of 4 springs—Package of 2 sets of 4 springs	.50
3101	Switch—Toggle switch with mounting washer and nuts	1.25	10175	Holder—Needle holder with mounting screws	.70
			10181	Brake—Automatic brake complete less contact switch with mounting screws	2.50
			10196	Spring—Regulating shaft spring—Package of 10	.50
			10378	Plate—Top plate	5.00
			10266	Disc—Rotor disc—For 220 Volt Motor	4.00

FOR RADIO PARTS SEE RCA VICTOR SUPERETTE R-7 SERVICE NOTES

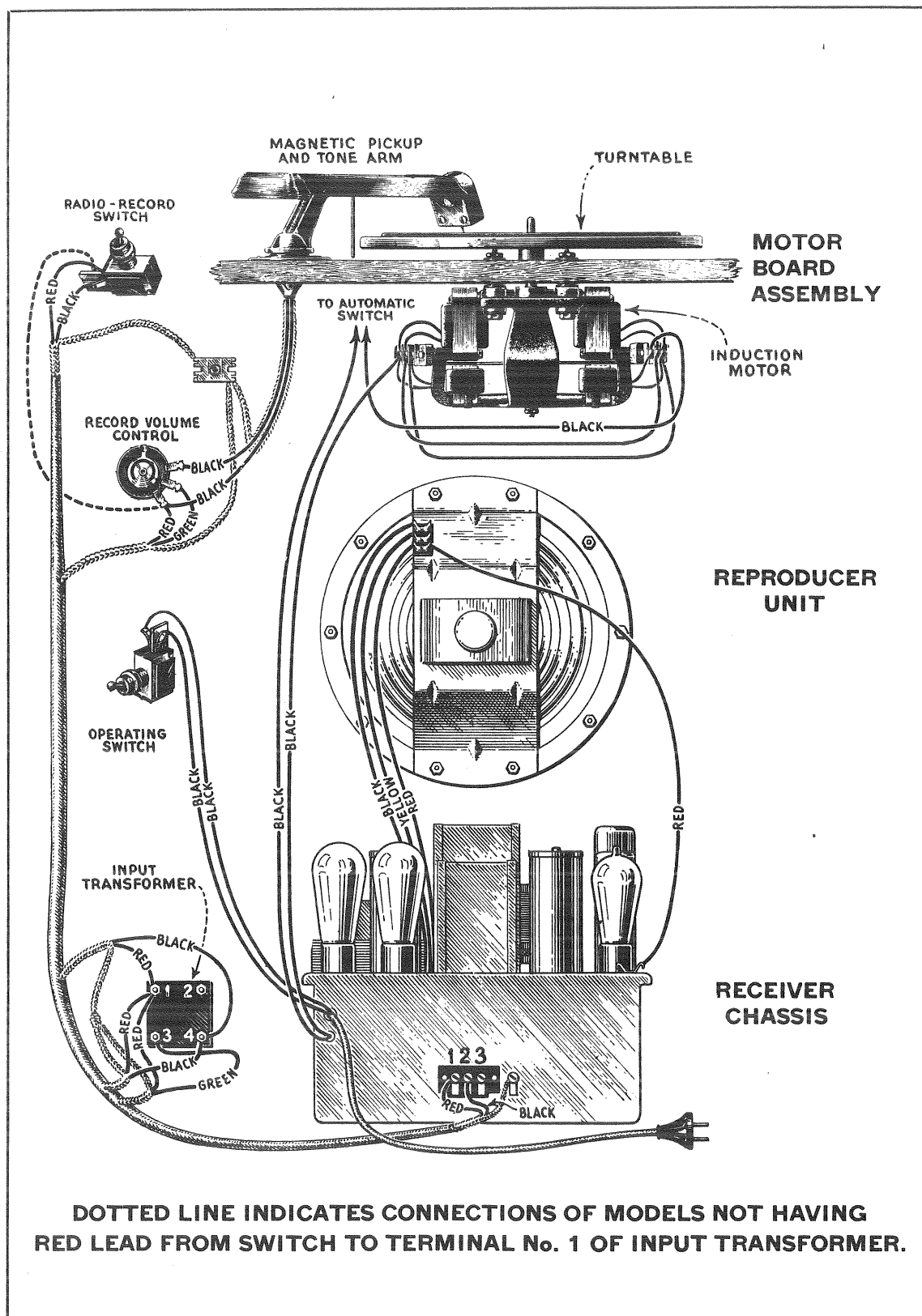


Figure 2—Assembly Wiring Diagram of Model RE-16

International Division
RCA Victor Company, Inc.

Camden, N. J., U. S. A.