

Instructions for RCA Victor R-75-A

INSTALLATION

Preliminary—After unpacking the instrument, remove the unfinished wood shipping strip fastened across the rear of the receiver chassis. Remove the packing material from the Radiotrons. Refer to the tube location diagram on rear of receiver, and **make certain:**

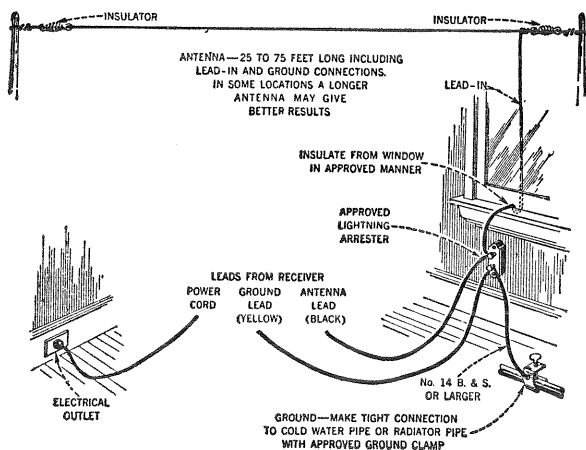
- (a) That all tubes are in the proper sockets and pressed down firmly.
- (b) That all shields are rigidly in place over the Radiotrons shown by double circles on the diagram.
- (c) That the short flexible leads shown on the diagram are attached to the top grid contacts of the proper Radiotrons as indicated, and that the spring contact caps are pressed down firmly.

NOTE—For the RCA-55 Radiotron *only*, the grid lead must be enclosed by the cylindrical tube shield. A slot is provided at the bottom of this shield for entrance of the lead.

- (d) That the lid is securely in place on the shield of the RCA-58 Radiotron designated by the heavy circle on the diagram.

Location—The instrument should be located close to the antenna lead-in and ground connections, and near an electrical outlet.

External Connections—Figure 1 shows the external connections and recommended antenna system. It is essential that a good ground connection be provided. Make connections to the antenna and ground as illustrated. Then connect the power cord to an



electrical outlet supplying alternating current at the voltage and frequency (cycles) for which the instrument is rated (see rating label on rear of receiver).

OPERATION

The operating controls are shown in Figure 2. Proceed as follows:

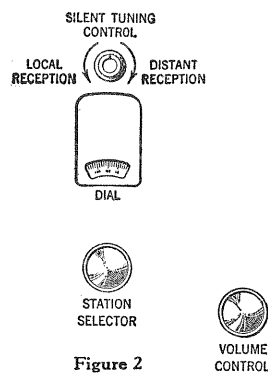
1. Apply power by turning the Tone Control knob clockwise from the "off" position; set this control near the middle of its range. Several seconds are required for the Radiotrons to heat before satisfactory reception is possible.

2. Set the Volume Control to the extreme clockwise position and the Silent Tuning Control to the extreme counter-clockwise position. Turn the Station Selector to a point, near mid range, at which no station is heard within several scale divisions. Next turn the Silent Tuning Control clockwise until background noise (static) is heard, then turn it slightly counter-clockwise until the noise just disappears.

NOTE—The adjustment just described provides quiet tuning, that is, suppression of background noise between station settings, and permits reception of all stations whose signals are above the existing noise level.

3. Turn the Station Selector slowly in either direction until a station is heard. (The dial scale is calibrated in kilocycles, for locating stations of known frequency assignment.)

NOTE—Should no station be heard at any point on the dial, it is an indication that there are no station signals above the



prevailing level of background noise. In this case it may be possible to tune in distant or weak stations by turning the Silent Tuning Control clockwise (in small steps) and continuing to rotate the Station Selector until signals are heard. When this is done, a higher level of background noise is, of course, to be expected.

4. After receiving a signal, turn the Volume Control counter-clockwise until the volume is reduced to a low level. Now readjust the Station Selector accurately to the position mid-way between the points where the quality becomes poor or the signal disappears. *This setting minimizes the proportion of background noise and provides the fine quality of reproduction possible with this instrument.*

5. Adjust the Volume Control to secure the desired volume.

NOTE—The *automatic volume control* maintains the volume substantially constant irrespective of normal fluctuations of signal strength (fading). Also, other stations with good signal strength may be received at approximately the same volume without readjustment of the Volume Control.

6. Adjust the Tone Control to obtain the desired tone quality, or turn it counter-clockwise to reduce noise interference (when tuned to a station).

7. When through operating, switch off the power by turning the Tone Control knob to the extreme counter-clockwise position.

Radiotrons—Improved results may sometimes be obtained by interchanging the RCA-58 Radiotrons in their sockets. *The power should be switched off before removing any Radiotron from its socket.* Spare Radiotrons should be kept on hand.

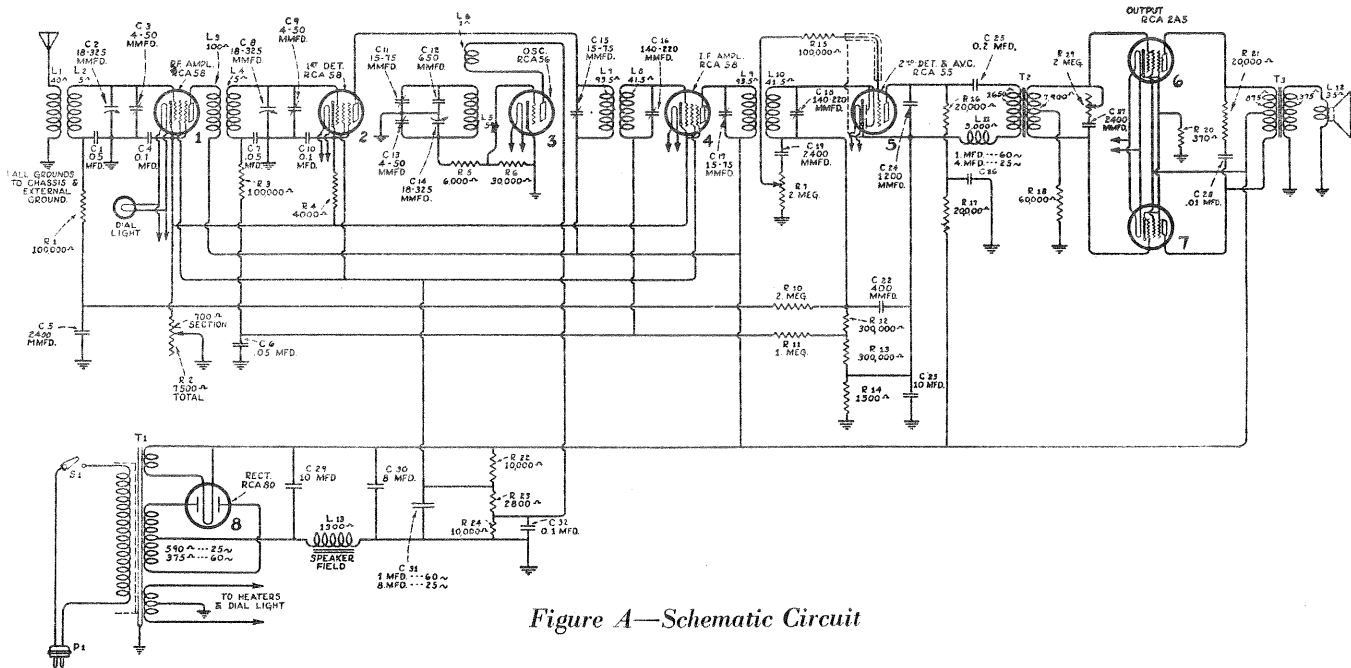


Figure A—Schematic Circuit

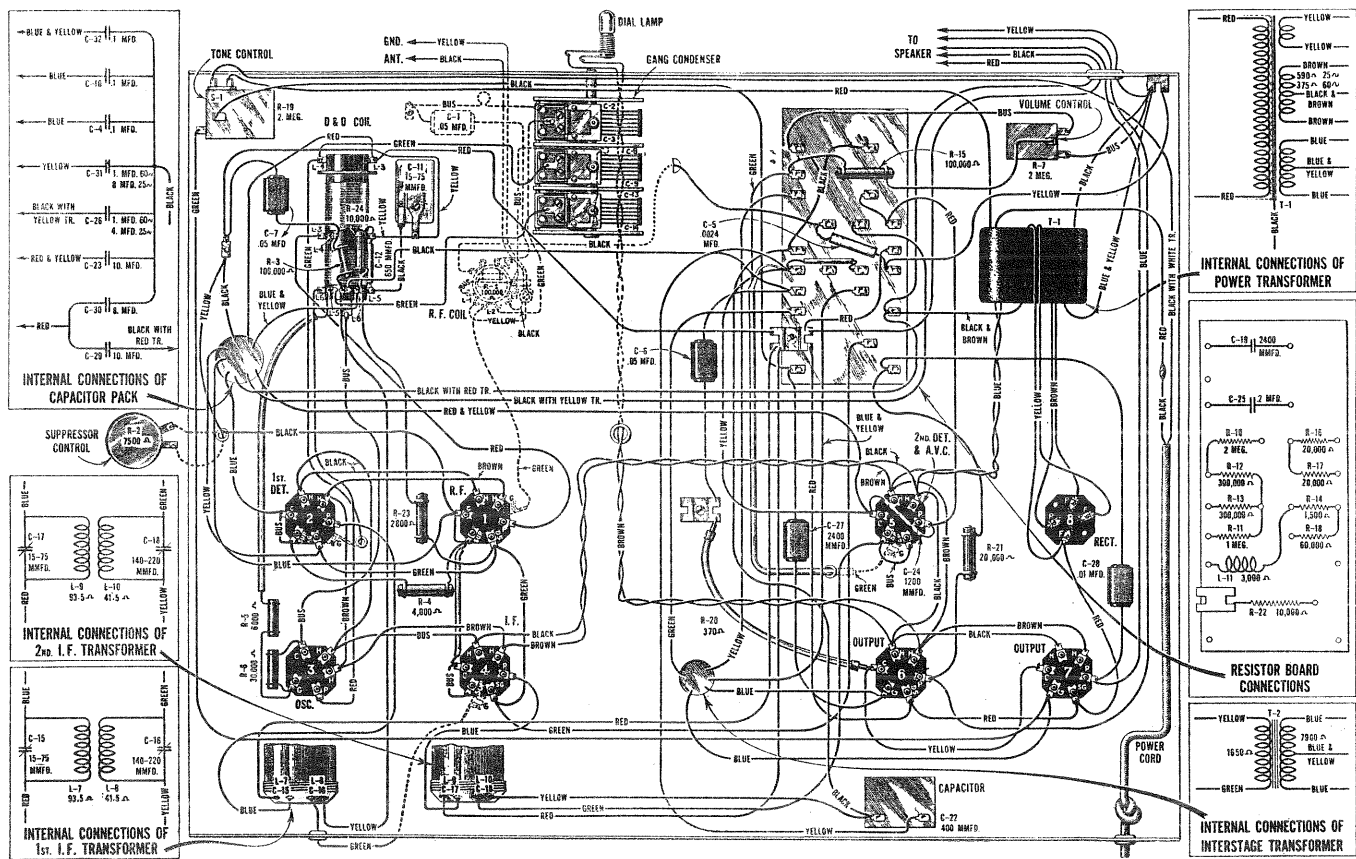


Figure B—Chassis Wiring Diagram

SERVICE DATA

Electrical Specifications

Voltage Rating.....	105-125 Volts
Power Consumption.....	100 Watts
Type and Number of Radiotrons.....	3 RCA-58, 1 RCA-56, 1 RCA-55, 2 RCA-2A5, 1 UX-280—Total, 8
Type of Circuit.....	Super-Heterodyne with A.V.C., tone control and push-pull Universal Output Tubes
Undistorted Output.....	3 Watts
R. F. and Oscillator Alignment Frequency.....	600 K. C., and 1400 K. C.
Intermediate Frequency.....	175 K. C.

This receiver is an eight tube Super-Heterodyne incorporating Automatic volume control, tone control and Universal Output tubes operated as a push-pull pentode stage. Service Data will be found to be similar to that of other Super-Heterodyne receivers incorporating similar features.

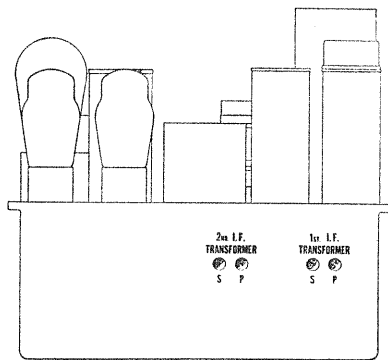


Figure C—I. F. Alignment Location

Line-up Adjustments

I. F. Tuning Adjustments—Two transformers comprising four tuned circuits are used in the intermediate amplifier. These are tuned to 175 K. C., and the adjustment screws are accessible from the rear of the chassis. See Figure C for location of the adjustment screws and proceed as follows:

- Procure a modulated oscillator giving a signal at 175 K. C., a non-metallic screwdriver such as Stock No. 7065 and an output meter.
- Remove the oscillator tube and connect a ground to the chassis.
- Connect the oscillator output between the 1st detector control grid and chassis ground. Connect the output meter across the voice coil of the loudspeaker and adjust the oscillator output so that with the receiver volume control at maximum, a slight deflection is obtained in the output meter.
- Adjust the secondary and then the primary of the second and then the first I. F. transformers until a

maximum deflection is obtained. Keep the oscillator output at a low value so that only a slight deflection is obtained on the output meter at all times. Go over these adjustments a second time as there is a slight interlocking of adjustments. This completes the I. F. Adjustments.

R. F. and Oscillator Adjustments—The three gang capacitor screws are accessible through the bottom cover and the 600 K. C. oscillator trimmer through the top of the chassis adjacent to the R. F. coil. Proceed as follows:

- Procure a modulated oscillator giving a signal at 1400 K. C. and 600 K. C., a non-metallic screwdriver such as Stock No. 7065 and an output meter.

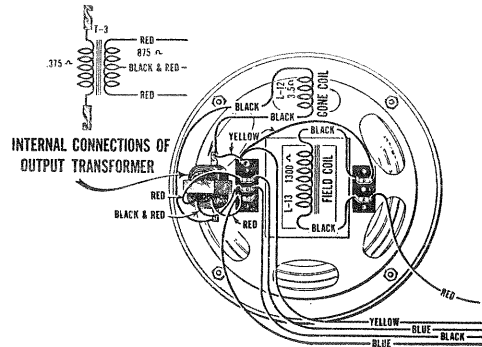


Figure D—Loudspeaker Wiring

- Connect the output of the oscillator to the antenna and ground lead of the receiver. Check the dial at the extreme maximum position of the tuning capacitor. The indicator should be at the short line on the dial. Then set the dial at 1400 K. C., the oscillator at 1400 K. C. and connect the output meter across the cone coil. Adjust the oscillator output so that a slight deflection is obtained when the receiver volume control is at maximum.
- Adjust the three line-up capacitors, accessible at the bottom of the receiver until maximum deflection is obtained in the output meter.
- Shift the oscillator frequency to 600 K. C. and tune the signal. Then adjust the 600 K. C. capacitor, accessible through the top, until maximum deflection is obtained. The main tuning capacitor must be rocked back and forth while making this adjustment.
- Then realign at 1400 K. C. This completes the adjustments.

When making both the I. F. and R. F. adjustments, the important point to remember is that the receiver volume control must be at its maximum position and the minimum input signal necessary from the oscillator must be used.

RADIOTRON SOCKET VOLTAGES

120 Volts, 60 Cycles, A. C. Line—V. C. at Maximum and No Signal

Radiotron No.	Control Grid to Cathode, Volts	Screen Grid to Filament or Cathode, Volts	Plate to Filament or Cathode, Volts	Plate Current, M. A.	Heater or Filament, Volts
1. R. F. RCA-58	4.0	100	240	6.0	2.4
2. 1st Det. RCA-58	10.0	90	230	2.0	2.4
3. Osc. RCA-56	—	—	75	4.5	2.4
4. I. F. RCA-58	4.0	100	240	6.0	2.4
5. 2nd Det. RCA-55 and A.V.C.	5.8	—	100	4.0	2.4
6. PWR. RCA-2A5	19.0	230	220	20.0	2.4
7. PWR. RCA-2A5	19.0	230	220	20.0	2.4

Rectifier—370 Volts R.M.S. Each Plate

REPLACEMENT PARTS

Insist on genuine factory tested parts, which are readily identified and may be purchased from authorized dealers

Stock No.	DESCRIPTION	List Price	Stock No.	DESCRIPTION	List Price
RECEIVER ASSEMBLIES					
2747	Cap—Contact cap—Package of 5.....	\$0.50	6323	Shaft—Tuning condenser drive shaft with one flat washer and 2 "C" washers—Package of 2.....	\$0.20
3003	Cushion—Sponge rubber chassis support cushions—Package of 4.....	.30	6367	Transformer—First intermediate frequency transformer.....	2.14
3076	Resistor—1 megohm—Carbon type— $\frac{1}{2}$ watt—Package of 5.....	1.00	6368	Transformer—Second intermediate frequency transformer.....	2.14
3077	Resistor—30,000 ohms— $\frac{1}{2}$ watt—Carbon type—Package of 5.....	1.00	6370	Tone control—Complete with mounting nut.....	1.34
3078	Resistor—10,000 ohms— $\frac{1}{2}$ watt—Carbon type—Package of 5.....	1.00	6452	Volume control—Complete with mounting nut.....	1.40
3241	Resistor—300,000 ohms—Carbon type— $\frac{1}{2}$ watt—Package of 5.....	1.00	6453	Rheostat—Noise suppressor rheostat.....	1.10
3252	Resistor—100,000 ohms— $\frac{1}{2}$ watt—Carbon type—Package of 5.....	1.00	6454	Coil—R. F. coil complete with mounting bracket.....	.90
3449	Coil—Choke coil mounted on resistor board.....	1.12	7054	Cord—Power cord.....	.60
3450	Capacitor—0.2 mfd.....	.46	7062	Capacitor—Adjustable trimming capacitor—Capacity 15 to 70 mmfd.....	.50
3451	Bracket—Dial lamp bracket and indicator—Package of 2.....	.38	7065	Screw driver—Micarta screw driver for I. F., R. F., and oscillator condensers.....	.80
3455	Capacitor—0.01 mfd.....	.44	7439	Drum—Dial drum with 3 dial mounting nuts.....	.35
3458	Resistor—2,800 ohms—Carbon type— $\frac{1}{2}$ watt—Package of 5.....	1.00	7440	Scale—Dial and dial scale.....	.50
3460	Capacitor—1200 mmfd.....	.30	7481	Coil—Detector and oscillator coil complete with mounting bracket.....	2.20
3472	Capacitor—0.0024 mfd.....	.32	7484	Socket—UY type Radiotron socket.....	.35
3548	Knob—Noise suppressor knob.....	.24	7485	Socket—6 contact Radiotron socket.....	.40
3549	Capacitor—400 mmfd.....	.34	7501	Capacitor—3 gang variable tuning capacitor complete with mounting screws and washers.....	4.20
3550	Resistor—370 ohms—Flexible type—Package of 5.....	.80	7549	Transformer—Interstage audio transformer.....	2.48
3556	Capacitor—0.05 mfd.....	.34	7582	Capacitor pack—Comprising two 10.0 mfd., one 8.0 mfd., two 1.0 mfd., and three 0.1 mfd. capacitors in metal container—For 60 cycle operation.....	8.06
3565	Socket—Dial lamp socket.....	.50	7583	Capacitor pack—Comprising two 10.0 mfd., two 8.0 mfd., one 4.0 mfd., capacitors in metal container—For 25 cycle operation.....	10.00
6142	Resistor—6,000 ohms— $\frac{1}{2}$ watt—Carbon type—Package of 5.....	1.00	7584	Transformer—Power transformer 105–125 volts—50–60 cycles.....	5.72
6188	Resistor—2 megohm—Carbon type— $\frac{1}{2}$ watt—Package of 5.....	1.00	7585	Transformer—Power transformer—105–125 volts—25–50 cycles.....	9.86
6192	Spring—3 gang tuning capacitor drive cord tension spring—Package of 10.....	.30	7586	Transformer—Power transformer 200–250 volts—50–60 cycles.....	5.88
6250	Resistor—4,000 ohms—Carbon type— $\frac{1}{2}$ watt—Package of 5.....	1.00	REPRODUCER ASSEMBLIES		
6279	Resistor—15,000 ohms— $\frac{1}{2}$ watt—Carbon type—Package of 5.....	1.00	3237	Screw assembly—Comprising 4 screws, 8 nuts, 4 washers, and 4 eyelets.....	.50
6282	Resistor—60,000 ohms—Carbon type— $\frac{1}{2}$ watt—Package of 5.....	1.00	6184	Board—Terminal board complete with 3 terminals.....	.50
6288	Knob—Station selector, tone control or volume control knob—Package of 5.....	1.00	6455	Transformer—Output transformer.....	1.95
6298	Cord—3 gang variable tuning capacitor drive cord—Package of 5.....	.60	8920	Ring—Cone retaining ring.....	.35
6300	Socket—4 contact Radiotron socket.....	.35	8969	Cone—Reproducer cone complete with voice coil.....	6.35
6303	Resistor—20,000 ohms— $\frac{1}{2}$ watt—Carbon type—Package of 5.....	1.00	9421	Coil assembly—Comprising field coil, magnet, and cone support.....	4.32
6312	Capacitor—650 mmfd.—Located on detector oscillator coil—Package of 5.....	1.50			
6318	Resistor—10,000 ohms—Porcelain type—20 watt.....	.80			

.0556

RCA Victor Company, Inc.

CAMDEN, N. J., U. S. A.

23158

Printed in U. S. A.