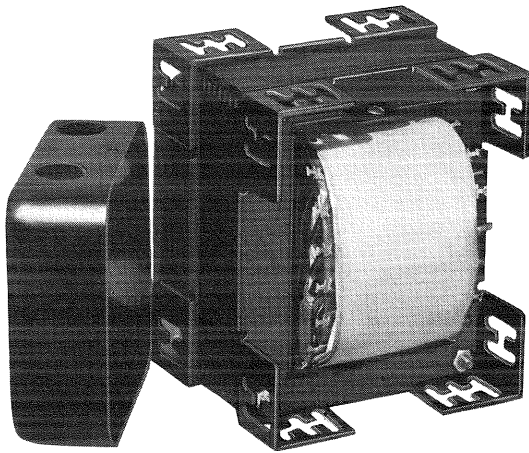




Fitzall Universal Power Transformers



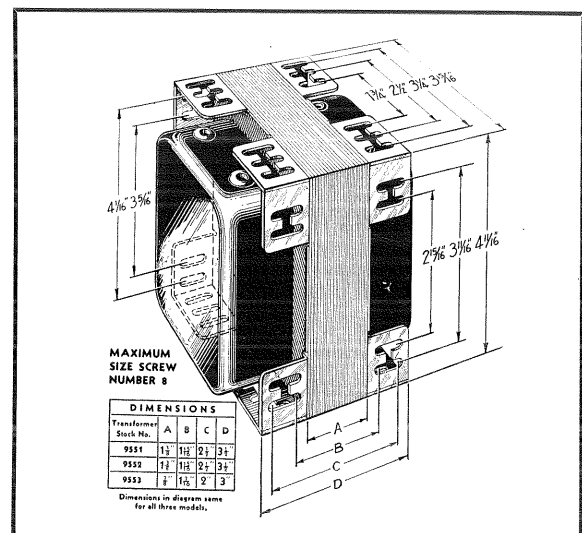
No longer is it necessary to "send away" for transformers for any make of radio receiver. RCA Fitzall Universal Transformers for *all makes* of radio receivers from 1927 to 1937 have been perfected . . . even anticipating future receiver design.

Specifications

Slotted in every conceivable position for quick attachment anywhere, "H" type holes are provided in the mounting lugs differently spaced on opposite surfaces to allow maximum flexibility in mounting. Only four types are needed for the large 12-tube jobs down to the 4-tube midgets. RCA Fitzall Universal Transformers present the solution to one of the Service Engineer's most annoying problems.

Terminals are provided to allow ample flexibility for adapting the transformer to any receiver circuit. Plenty of windings are available to meet the requirements of any circuit. RCA Fitzall Universal Transformers in four types fit all sets from 1927 to 1937.

<p>FOR 10- 12-TUBE SETS</p> <p>Stock No. 9551 List Price, \$6.00</p> <table border="1"> <thead> <tr> <th colspan="2">PRIMARY</th> </tr> <tr> <th colspan="2">115 VOLTS A.C. 50/60 CYCLES</th> </tr> </thead> <tbody> <tr> <td>0000</td> <td>0000000000000000</td> </tr> <tr> <td>1 1.5</td> <td>2.5 1.25 1.25 2.5 2.5 2.5 3.75 3.75</td> </tr> <tr> <td>10.5 AMPS.</td> <td>5.0 AMPS. 3.5 AMPS. 3.0 AMPS. 1.0 AMPS. D.C.</td> </tr> <tr> <td>FIL.#4</td> <td>FIL.#3 FIL.#2 FIL.#1 PLATE</td> </tr> </tbody> </table>		PRIMARY		115 VOLTS A.C. 50/60 CYCLES		0000	0000000000000000	1 1.5	2.5 1.25 1.25 2.5 2.5 2.5 3.75 3.75	10.5 AMPS.	5.0 AMPS. 3.5 AMPS. 3.0 AMPS. 1.0 AMPS. D.C.	FIL.#4	FIL.#3 FIL.#2 FIL.#1 PLATE
PRIMARY													
115 VOLTS A.C. 50/60 CYCLES													
0000	0000000000000000												
1 1.5	2.5 1.25 1.25 2.5 2.5 2.5 3.75 3.75												
10.5 AMPS.	5.0 AMPS. 3.5 AMPS. 3.0 AMPS. 1.0 AMPS. D.C.												
FIL.#4	FIL.#3 FIL.#2 FIL.#1 PLATE												
<p>FOR ALL CLASS B SETS</p> <p>Stock No. 9552 List Price, \$6.50</p> <table border="1"> <thead> <tr> <th colspan="2">PRIMARY</th> </tr> <tr> <th colspan="2">115 VOLTS A.C. 50/60 CYCLES</th> </tr> </thead> <tbody> <tr> <td>0000</td> <td>0000000000000000</td> </tr> <tr> <td>1 1.5</td> <td>2.5 1.25 1.25 2.5 1.25 1.25 1.65 3.0 3.0 1.65</td> </tr> <tr> <td>7.25 AMPS.</td> <td>5.0 AMPS. 3.5 AMPS. 3.0 AMPS. 1.15 AMPS. D.C.</td> </tr> <tr> <td>FIL.#4</td> <td>FIL.#3 FIL.#2 FIL.#1 PLATE</td> </tr> </tbody> </table>		PRIMARY		115 VOLTS A.C. 50/60 CYCLES		0000	0000000000000000	1 1.5	2.5 1.25 1.25 2.5 1.25 1.25 1.65 3.0 3.0 1.65	7.25 AMPS.	5.0 AMPS. 3.5 AMPS. 3.0 AMPS. 1.15 AMPS. D.C.	FIL.#4	FIL.#3 FIL.#2 FIL.#1 PLATE
PRIMARY													
115 VOLTS A.C. 50/60 CYCLES													
0000	0000000000000000												
1 1.5	2.5 1.25 1.25 2.5 1.25 1.25 1.65 3.0 3.0 1.65												
7.25 AMPS.	5.0 AMPS. 3.5 AMPS. 3.0 AMPS. 1.15 AMPS. D.C.												
FIL.#4	FIL.#3 FIL.#2 FIL.#1 PLATE												
<p>FOR 5- 9-TUBE SETS</p> <p>Stock No. 9553 List Price, \$4.75</p> <table border="1"> <thead> <tr> <th colspan="2">PRIMARY</th> </tr> <tr> <th colspan="2">115 VOLTS A.C. 50/60 CYCLES</th> </tr> </thead> <tbody> <tr> <td>0000</td> <td>0000000000000000</td> </tr> <tr> <td>1.0 1.5</td> <td>2.5 1.25 1.25 2.5 2.5 3.35 3.35</td> </tr> <tr> <td>7.5 AMPS.</td> <td>5 AMPS. 3 AMPS. 0.80 AMPS. D.C.</td> </tr> <tr> <td>FIL.#3</td> <td>FIL.#2 FIL.#1 PLATE</td> </tr> </tbody> </table>		PRIMARY		115 VOLTS A.C. 50/60 CYCLES		0000	0000000000000000	1.0 1.5	2.5 1.25 1.25 2.5 2.5 3.35 3.35	7.5 AMPS.	5 AMPS. 3 AMPS. 0.80 AMPS. D.C.	FIL.#3	FIL.#2 FIL.#1 PLATE
PRIMARY													
115 VOLTS A.C. 50/60 CYCLES													
0000	0000000000000000												
1.0 1.5	2.5 1.25 1.25 2.5 2.5 3.35 3.35												
7.5 AMPS.	5 AMPS. 3 AMPS. 0.80 AMPS. D.C.												
FIL.#3	FIL.#2 FIL.#1 PLATE												
<p>Stock No. 9556</p>	<p>FOR FOUR-TUBE SETS (Not Illustrated)</p>												





Check and Triple Check the Uniform High Quality of RCA Fitzall Universal Transformers » » »

THE old adage, "You can't tell what a book contains by looking at its covers," applies with equal force to Universal Transformers. No Service Engineer can tell how a transformer has been constructed by looking at it, nor can he tell how accurately it has been tested and checked.

In preparing to manufacture and market a Universal Transformer, RCA determined that the Fitzall Universal Transformer must in every way square itself with the RCA reputation for high quality parts and replacements. It must be able to "take it" under any and all service conditions that might arise. And the RCA Fitzall can.

In the RCA Fitzall production, line testing and inspection is the order of the day. Primary windings are checked for shorted turns. The high voltage plate is tested for center-tap and the total windings for shorted turns. Each separate filament winding is tested for shorted turns. All this testing is done before any of the component units are assembled.

Next comes impregnation. The primary and high voltage windings are heated

to the temperature of the bath before immersion to assure uniform penetration. Impregnation is accomplished in vacuum tanks which remove air and moisture from the insulation and seal it.

The units are then assembled and tests are made for voltage ratio between primary and all other windings before the core is installed. The core is then applied and tests are made for core loss and exciting current.

At this stage of production every single part has been tested separately and then collectively.

After final assembly of all the parts, the transformers are tested all over again for primary watts input and primary exciting current. And then they are tested again—this time automatically on a traveling test belt, with all possibilities of human error removed—under conditions more severe than ever developed in actual service.

Transformers that meet the exacting specifications of each of these many tests and inspections are considered worthy of the RCA name and are sold with the RCA guarantee.