

RCA VICTOR

MODEL RK-24 PHONOGRAPH OSCILLATOR

SERVICE NOTES

ELECTRICAL SPECIFICATIONS

Type of Oscillator Circuit.....	Modified Hartley
Type of Modulation.....	Pentode Control Grid
Type of Radiotrons.....	RCA-2A7 or RCA-6A7
Heater Current.....	0.3 or 1.0 (Depending on Tube Used)
Heater Voltage.....	2.5 or 6.3 Volts (Depending on Tube Used)
Plate Voltage.....	150 Volts to 400 Volts
Plate Current.....	2.0 M. A. at 250 Volts
Input Pickup Impedance.....	2450 Ohms at 1000 Cycles
Output Impedance.....	30 Ohms
Tuning Frequency Range.....	1400 K. C. to 1700 K. C.

PHYSICAL SPECIFICATIONS

Height.....	5½ Inches
Width.....	7 Inches
Depth.....	2½ Inches
Weight.....	1 Pound
Weight Packed for Shipment.....	2 Pounds

The RCA Victor RK-24 Phonograph Oscillator is a modulated R. F. oscillator designed for use in conjunction with the RCA Victor Record Player Model R-93. The purpose of the RK-24 Oscillator is to facilitate and ensure the proper connection and operation of the R-93 when connected to a radio receiver of any type and manufacture.

The Oscillator uses Radiotron RCA-2A7 or RCA-6A7, depending on the heater voltage of the

receiver with which it is to be used. This Radiotron is of the dual purpose variety and functions both as an oscillator and a modulator. The modulation is of the pentode control grid type and results in excellent quality throughout the audio range of the pickup.

A typical connection of the RK-24 in conjunction with the R-93 Record Player is shown in Figure 1.

Figure 2 shows the schematic circuit diagram, while Figure 3 shows the chassis wiring diagram.

REPLACEMENT PARTS

Insist on genuine factory tested parts, which are readily identified and may be purchased from authorized dealers

Stock No.	DESCRIPTION	LIST PRICE	Stock No.	DESCRIPTION	LIST PRICE
4749	Board—Terminal board assembly.....	\$0.48	3400	Resistor—30 ohms—Carbon type—¼ watt (R6)—Package of 5.....	\$1.00
4013	Capacitor—200 mmfd. (C3).....	.30	6143	Resistor—40,000 ohms—Carbon type—½ watt (R2, R3)—Package of 5.....	1.00
4027	Capacitor—800 mmfd. (C1).....	.44	3464	Resistor—70,000 ohms—Carbon type—½ watt (R4)—Package of 5.....	1.00
4745	Capacitor pack—Comprising two 4.0 mfd. capacitors (C4, C5).....	1.28	3058	Resistor—100,000 ohms—Carbon type (R5)—Package of 5.....	1.10
4748	Clamp—Electrolytic capacitor clamp.....	.15	6300	Socket—4-contact Radiotron socket.....	.35
4747	Coil—Oscillator coil and shield assembly (L1, L2, C2).....	2.18	4750	Switch—Operating switch.....	.94
9554	Oscillator—Complete.....	7.75	4746	Transformer—Output transformer (L3, L4).....	.48

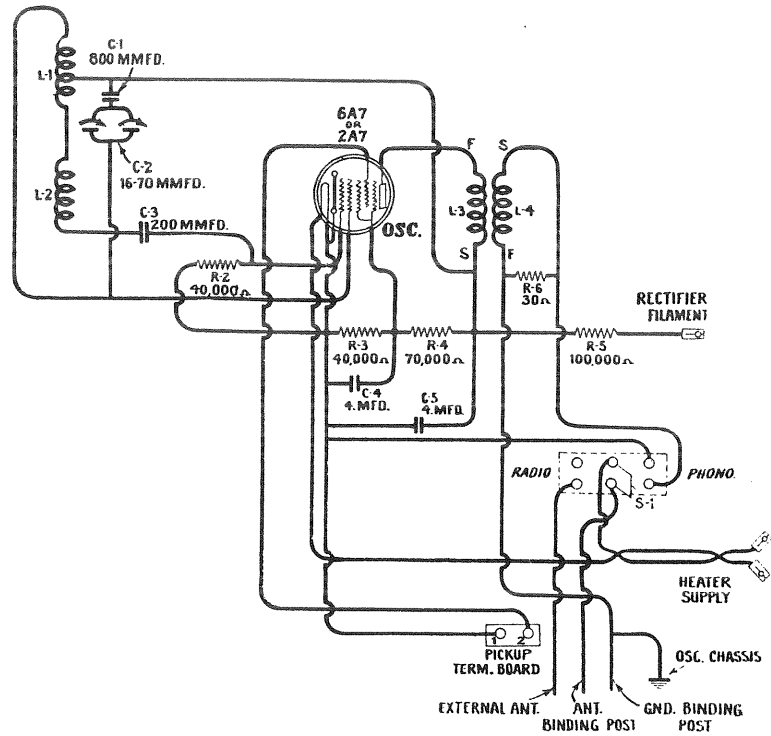
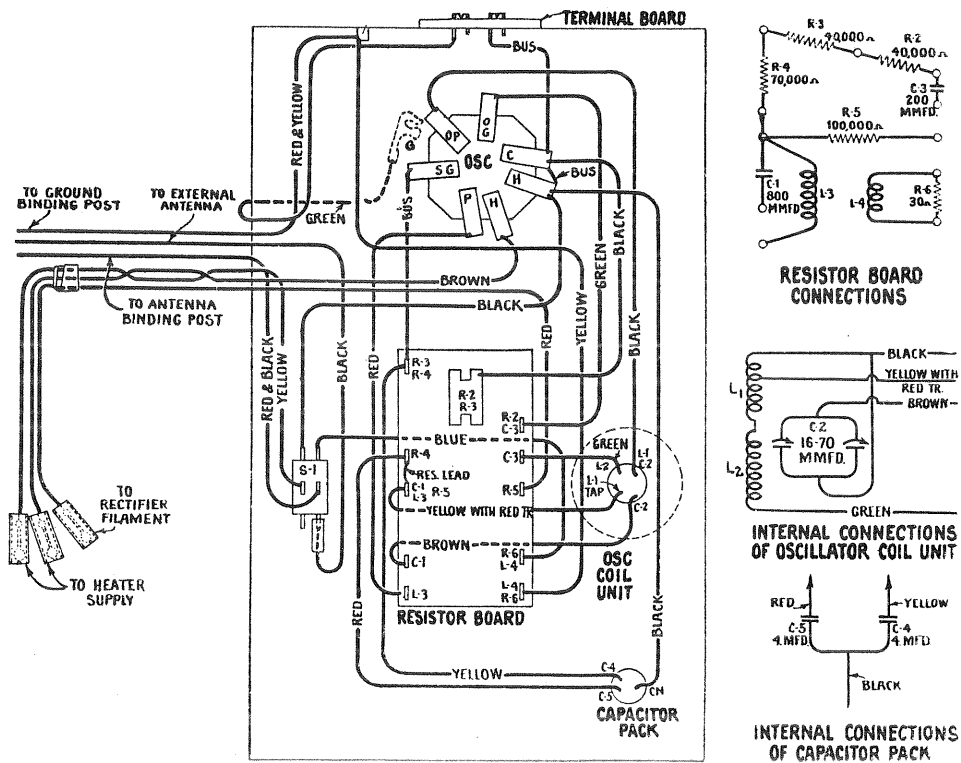


Figure 2—Schematic Circuit Diagram



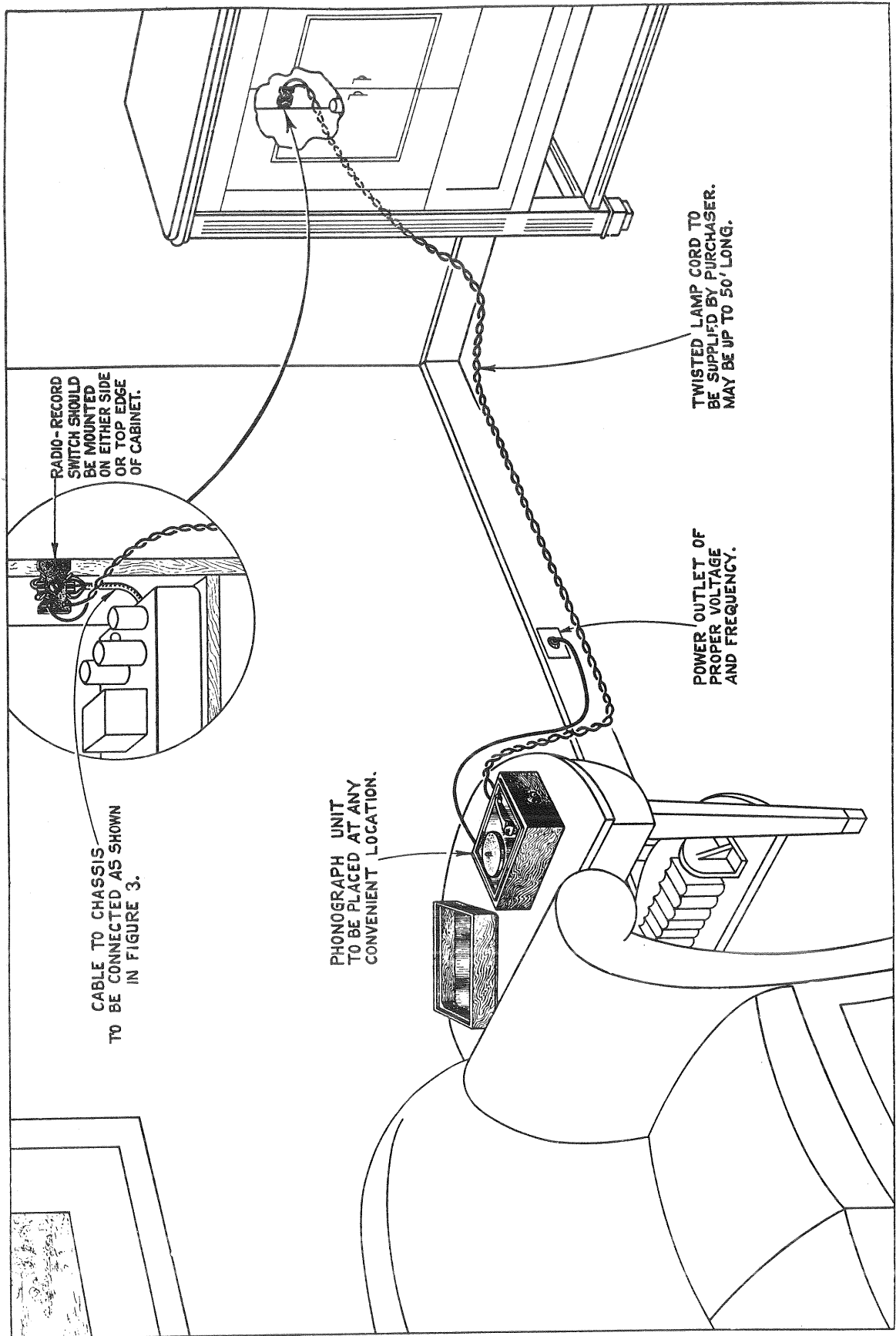


Figure 1—Typical Layout and Connections for Model R-93