

# SUPPLEMENT TO

## RCA VICTOR MODELS

### T 7-5, T 8-14, T 8-16, T 10-1, and T 10-3

### SERVICE NOTES

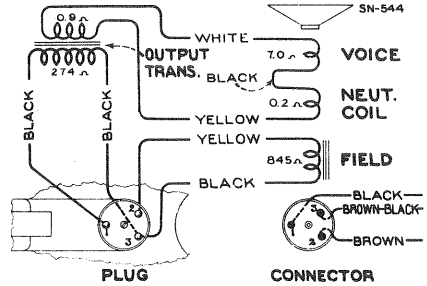
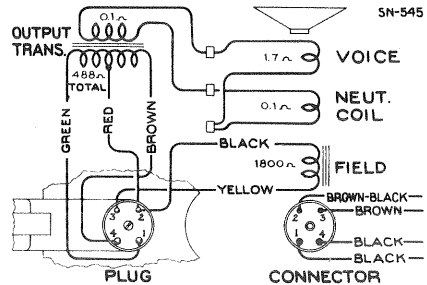
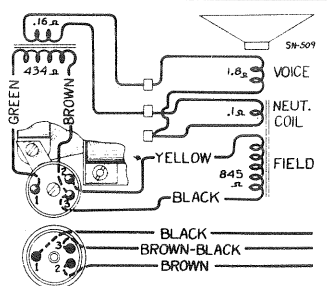
On receiver Models T 7-5 and T 8-14, three different type speakers are used. They can be readily identified by the following numbers stamped on them: (1) RL 63-4, (2) 76365-1, and (3) 76365-3.

On receiver Models T 10-1 and T 10-3, two different type speakers are used: (1) RL 63-5 and (2) 76365-2.

On receiver Model T 8-16, two different type speakers are used: (1) RL 63-4 and (2) 76365-3.

The internal connections and replacement parts for speakers RL 63-4 and RL 63-5 are given in the Service Notes, while the schematic diagrams given below indicate the color code and wiring to the plug and connector for speakers: (1) 76365-1, (2) 76365-2, and (3) 76365-3. The replacement parts appear opposite the respective speakers.

### REPLACEMENT PARTS

	Diagram	Stock No.	DESCRIPTION	LIST PRICE
<b>76365-1</b>			<b>76365-1</b>	
		11836	CONE—Reproducer cone.....	\$1.75
		5118	CONNECTOR—3-contact male connector for reproducer.....	.25
		9634	REPRODUCER—Complete.....	6.40
		11837	TRANSFORMER—Output transformer.. (Field and hum coils not removable.)	1.56
<b>76365-2</b>			<b>76365-2</b>	
		11841	COIL—Field coil.....	2.15
		11842	COIL—Hum neutralizing coil.....	.30
		11838	CONE—Reproducer cone.....	2.00
		5039	CONNECTOR—4-contact male connector for reproducer.....	.25
		9636	REPRODUCER—Complete.....	6.60
		11839	SPRING—Reproducer center support casting clamping spring—Package of 2.	.30
		11840	TRANSFORMER—Output transformer..	1.66
<b>76365-3</b>			<b>76365-3</b>	
		11844	COIL—Field coil.....	2.00
		11842	COIL—Hum neutralizing coil.....	.30
		11838	CONE—Reproducer cone.....	2.00
		5118	CONNECTOR—3-contact male connector for reproducer.....	.25
		9635	REPRODUCER—Complete.....	6.40
		11839	SPRING—Reproducer center support casting clamping spring—Package of 2.	.30
11843	TRANSFORMER—Output transformer..	1.56		

The prices quoted above are subject to change without notice.