

# RCA VICTOR MODELS T 8-14 and C 8-15

## Eight-Tube, Three-Band, A-C, Superheterodyne Receivers

### SERVICE NOTES

#### ELECTRICAL SPECIFICATIONS

##### FREQUENCY RANGES

Band A .....	540—1800 kc.
Band B .....	1800—6000 kc.
Band C .....	6000—18000 kc.

##### RADIOTRON COMPLEMENT

(1) RCA-6K7 .....	Radio-Frequency Amplifier
(2) RCA-6L7 .....	First Detector
(3) RCA-6J7 .....	Heterodyne Oscillator
(4) RCA-6K7 .....	Intermediate Amplifier
(5) RCA-6H6 .....	Second Detector and A.V.C.
(6) RCA-6F5 .....	Audio Amplifier
(7) RCA-6F6 .....	Power Output Amplifier
(8) RCA-5Z3 .....	Full Wave Rectifier

##### VOLTAGE AND FREQUENCY

Rating A .....	105—125 volts, 50—60 cycles
Rating B .....	105—125 volts, 25—60 cycles
Rating C .....	100—130/140—160/195—250 volts, 40—60 cycles

Power Consumption.....105 watts

Undistorted Output.....2 watts

Maximum Output.....4½ watts

Loudspeaker ..... } C 8-15—12 inch, Electrodynamic  
 T 8-14—8 inch, Electrodynamic

Voice Coil Impedance.....2¼ ohms at 400 cycles

Intermediate Frequency.....460 kc.

##### ALIGNMENT FREQUENCIES

Band A .....	.600 kc. (osc), 1720 kc. (osc, ant, det)
Band B .....	.6132 kc. (osc, ant, det)
Band C .....	18000 kc. (osc, ant, det)

#### MECHANICAL SPECIFICATIONS

	MODEL T 8-14	MODEL C 8-15
Height .....	19⅞ inches.....	39 inches
Width .....	16 inches.....	25¼ inches
Depth .....	11¾ inches.....	12¼ inches
Weight (Net) .....	.35 pounds.....	.52 pounds
Weight (Shipping) .....	.41 pounds.....	.68 pounds

#### GENERAL FEATURES

These two instruments are alike in chassis construction and design. The table model employs an 8 inch loudspeaker while the console model uses a 12 inch unit. The following features are of outstanding interest:—

##### Metal Tubes

This receiver uses the new metal tubes which are

much smaller in size than the corresponding glass types. The high frequency efficiency of these metal tubes is greater, because of; the shorter lengths of leads, lesser interelectrode capacitance and the more complete shielding of the metallic envelopes. Their rugged construction prevents breakage and reduces microphonic tendencies. The bases and sockets of all types have a standardized arrangement of connecting prongs.

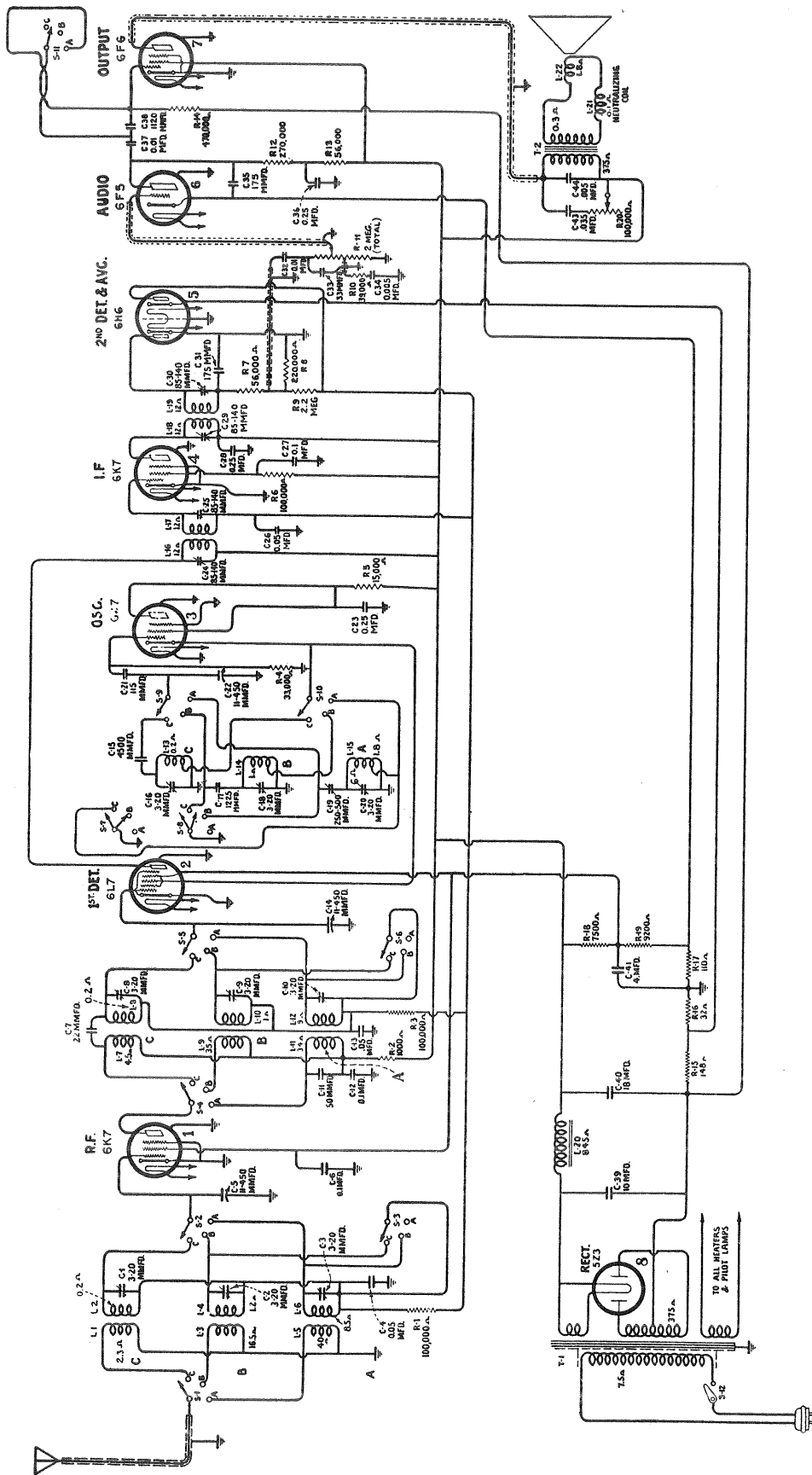


Figure 1—Schematic Circuit Diagram

NOTE: CAPACITOR C-33 IS CONNECTED TO TAP ON VOLUME CONTROL AND NOT TO GROUND AS INDICATED.



## Dial Drive

An open face airplane type of dial is used. Each scale has a band of color adjacent to its graduations and three short strips of corresponding colors at the lower part of the dial for index purposes. An index pointer, which moves as the band switch is rotated, points to one of these colors to identify the band in use. The drive mechanism is variable, there being either a 50 to 1 or 10 to 1 ratio available between the tuning knob and condenser drive shaft.

## Tuning Condenser

The variable tuning condenser is supported by a new design of shock-proof mount which has been developed by our engineers to prevent chassis vibration from producing audio frequency "howl".

## Plug-In Loudspeaker

A readily detachable plug type of connection is used in the chassis to loudspeaker cable. This permits ready removal for service.

## CIRCUIT FEATURES

The circuit is based upon the Superheterodyne principle. The three ranges of tuning are covered by three sets of coils. A single r-f stage provides the desired selectivity and gain ahead of the hexode first detector tube. The oscillator stage operates separately from the first detector. A single stage i-f system is employed. Its basic frequency is 460 kc. Diode detection is performed by a double diode RCA-6H6 Radiotron. Automatic volume control is provided by this same tube. The audio system consists of two stages, one an RCA-6F5, and the output, an RCA-6F6. High voltages for plate and bias supplies are obtained from an RCA-5Z3 full wave rectifier through an efficient filter. The field of the loudspeaker acts as a reactor in the filter circuit. Further details of the circuit are as follows:—

### Oscillator

The oscillator circuit has extreme stability of frequency and good uniformity of output over the tuning ranges. These qualities assure that the tuning of the receiver will not drift as the line voltage varies or the receiver heats. The action of the circuit is such that when the cathode emission tends to change with line voltage or because of other reasons, the variation of voltage drop in the plate and screen resistor restores the operating characteristics of the tube to normal and thus maintains constancy of the generated signal.

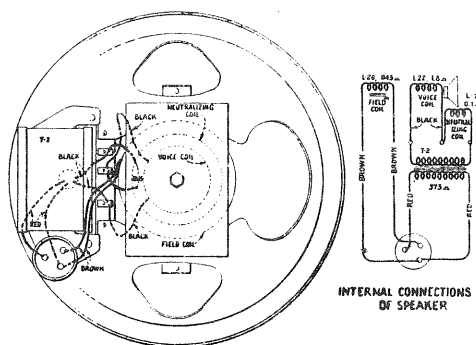


Figure 3—Loudspeaker Wiring

### First Detector

This stage has unusually good high frequency mixing efficiency. The tube used, an RCA-6L7, is a new hexode type. The signal is supplied to the first control grid and the oscillator voltage is fed in on a second control grid, a screen grid separating the two. The arrangement of the grids prevents degenerative dif-

culties, particularly at the higher frequencies. The second grid is direct-connected to the cathode of the oscillator and has no d-c bias.

### Compensated Volume Control

The variation in response of the human ear with different degrees of volume is compensated for by a resistor and condenser network in the manual volume control circuit. The volume control itself is an acoustically tapered potentiometer which provides equal changes of sound intensity for the listener per degree of rotation.

### Range Switch

The band change switch has several functions. It exchanges the antenna, detector and oscillator coils in order to select the range desired. At the same time, it shorts out the unused coils so as to eliminate their absorptive effects. It also varies the fidelity by shorting a coupling condenser in the audio system to provide the desired reproduction for short as well as long wave reception.

### Tone Control

Provision is included for variable reduction of high frequencies. This consists of a resistor and condenser combination across the primary winding of the output transformer, the resistor being the variable element. As it is decreased, the high frequency response limit is lowered.

### Power System

The power transformer has its primary winding capacitively shielded from its secondary windings to eliminate transfer of line disturbances into the receiver and to stop any tendency for the circuit to radiate into the line. Rectification is performed in the usual manner by a full wave tube.

### Detection and A.V.C.

The modulated signal as obtained from the output of the i-f system is detected by an RCA-6H6 double diode tube. The audio frequency secured by this process is passed on to the a-f system for amplification and final reproduction. The d-c voltage which results from detection of the signal is used for automatic volume control. This voltage, which develops across resistor R-8, is applied as automatic control grid bias to the r-f, first detector and i-f tubes through suitable resistance-capacitance filter circuits. The second diode of the RCA-6H6 is used to supply residual bias for

these controlled tubes under conditions of little or no signal. This diode, under such conditions, draws current, which flows through R-9 and R-8, thereby maintaining the desired minimum operating bias on such

tubes. On application of signal energy above a certain low level, however, the auxiliary bias diode ceases to draw current and the a.v.c. diode takes over the biasing function.

## SERVICE DATA

The various diagrams of this booklet contain such information as will be needed for servicing the receiver. The ratings of all resistors, capacitors, coils, etc., are indicated adjacent to the symbols signifying these parts on the diagrams. The coils, reactors and transformer windings are rated in terms of their d-c resistances only and where the value is less than one ohm, no rating is given. Identification titles such as R-3, L-2, C-1, etc., are provided for reference between the illustrations and replacement parts list.

### Alignment Procedure

There are a total of fourteen adjustments necessary for obtaining proper alignment when such a process becomes necessary. Four of these are involved with the i-f system and the remainder are associated with the antenna, first detector and oscillator coils.

Correct performance of the receiver can only be obtained when the trimmer adjustments have been made by a skilled service man with the use of adequate and reliable test equipment. Such apparatus as may be required for this particular instrument is illustrated and described on a separate page of this booklet.

Two methods of alignment are applicable. One utilizes a Cathode-Ray Oscillograph as a means of output indication and the other follows former procedure where a glow type indicator or meter is used. The oscillographic method is much to be preferred, since greater accuracy is possible and the time required is lessened. There are no approximations necessary as with the meter or aural method, but each adjustment can be made with excellent precision. Both methods are hereinafter outlined so that alignment operations may be made according to the equipment available.

It is wise to determine the necessity for alignment as well as the direction of misalignment before making adjustments. The RCA Tuning Wand is an instrument designed particularly for such a purpose.

The Tuning Wand consists of a bakelite rod having a small brass cylinder at one end and a core of finely divided iron at the other. It may be inserted into a tuned coil while a signal of the normal resonant frequency is being supplied to such coil to obtain an indication of the tuning. Holes are provided at the top of each shield can for entrance of the Wand. The presence of either end of the Wand will cause a change in tuning which will be indicated at the receiver output as an increase or decrease in signal level. If there is a decrease of output when either end is inserted, the tuning is correct and will require no adjustment. However, should there be an increase of output due to the iron core and decrease with the brass cylinder, an increase in inductance or capacitance is indicated as necessary to bring the circuit into line. The trimmer involved should therefore be increased accordingly. If the brass cylinder end causes an increase in output while the iron end causes a decrease, reduction of inductance will be necessary to place the circuit in alignment. This is equivalent

to decreasing the trimmer concerned. The following tabulation gives the various changes and the adjustments required:—

WAND	SIGNAL	TRIMMER
{Brass .....	Decrease	None
{Iron .....	Decrease	
{Brass .....	Increase	Decrease
{Iron .....	Decrease	
{Brass .....	Decrease	Increase
{Iron .....	Increase	

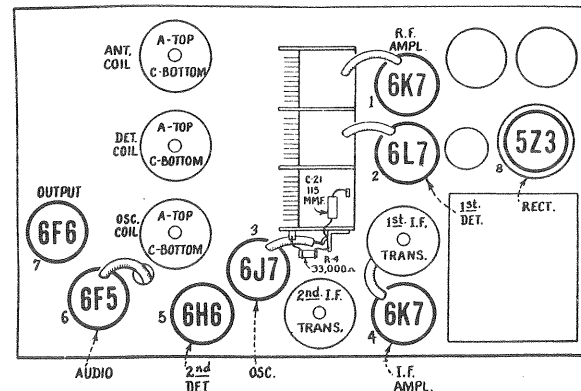


Figure 4—Coil and Radiotron Locations

### (I) CATHODE-RAY ALIGNMENT Equipment

A standard source of the specified alignment frequencies is required. Such a source should consist of an RCA Full Range Oscillator, Stock No. 9595. Output indication should be by means of an RCA Stock No. 9545 Cathode-Ray Oscillograph. An RCA Stock No. 9558 Frequency Modulator will be needed to sweep the generated signal and synchronize it with the Oscillograph in order to make possible the visual representation of the resonant characteristic of the circuit being tuned on the cathode-ray fluorescent screen.

#### I-F Trimmer Adjustments

The four trimmers of the two i-f transformers are located as shown by Figure 6. Each must be aligned to a basic frequency of 460 kc. The last transformer must be aligned firstly and the first transformer aligned secondly. For such a process, it is necessary to feed the output of the Full Range Oscillator to the stages in their order of alignment, adjusting the trimmers of each transformer and observing the effect at the second detector output on the Cathode-Ray Oscillograph. The proper point of connection of the Oscillograph is with its vertical "high" input terminal attached to the juncture of R-7, R-8 and R-9 as illustrated in Figure 6, and with the "0" or ground terminal to the chassis. The "Ext. Sync." terminals of the Oscillograph should be connected to the Frequency Modulator as shown by

Figure 5. A .001 mfd. capacitor installed in series with the Oscillator "Ant." lead will prevent the voltages of the stage under alignment from becoming upset. The vertical "A" amplifier should be "On" for the ensuing adjustments and the gain control kept at its maximum position. For each adjustment, the Oscillator output need be regulated so that the image obtained

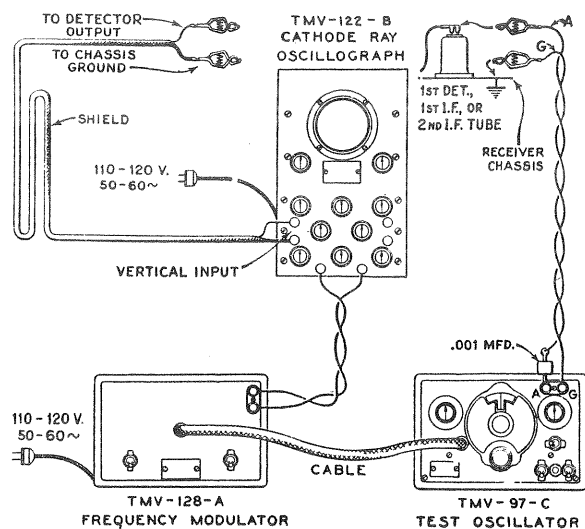


Figure 5—Alignment Apparatus Connections

on the Oscilloscope screen will be of sufficient size as to be accurately observable. Proceed further as follows:—

- (a) Place the receiver, Oscilloscope and test Oscillator in operation. Set the receiver range switch to Band "A" and tune the station selector to a point where no interference will be picked up, shorting the antenna and ground terminals if necessary. Set the Oscilloscope horizontal "B" amplifier to "Timing" and control its gain so that the luminescent spot sweeps a straight line trace completely across the screen. Place the timing control to "Int." Adjust the intensity and focusing controls of the Oscilloscope to produce the correct size and strength of the spot.
- (b) Attach the output of the test Oscillator between the control grid cap of the RCA-6K7 i-f tube and chassis ground as shown typically by Figure 5. Tune the Oscillator to 460 kc. and set its modulation switch to "On". Regulate its output until the signal produces a wave pattern on the Oscilloscope screen, adjusting the Oscilloscope controls to give the desired number of cycles. Cause the image to stand still on the screen by manipulation of the frequency and synchronizing controls. Then carefully tune the two trimmers C-29 and C-30 of the second i-f transformer to produce maximum amplitude (vertical deflection) of the oscillographic image. Under this condition the transformer will be sharply resonated to 460 kc.
- (c) The Frequency Modulator should then be placed

in operation and interconnected with the Full Range Oscillator by means of the special shielded patch cord. Figure 5 shows the proper arrangement. Set the Frequency Modulator sweep range switch to its "Lo" position and turn the Oscillator modulation switch to "Off". Change the timing control of the Oscilloscope to "Ext." and place the range switch to its No. 2 position. Then carefully shift the tuning of the Oscillator so as to increase its frequency, until two distinct and similar waves appear on the Oscilloscope screen and become exactly coincident at their highest points. These curves will be found to occur at an Oscillator setting of approximately 540 kc. They will be identical in shape but appearing in reversed positions. Adjust the frequency control of the Oscilloscope in order to cause the waves to conform with the above requirements and to make them remain motionless on the screen. This will require a setting of approximately  $\frac{1}{2}$  clockwise rotation of the frequency control. The trimmers C-29 and C-30 should then be re-adjusted so that the two curves move together and become exactly coincident throughout their lengths, maintaining the maximum amplitude at which this condition can be brought about.

- (d) Leaving the equipment connected and adjusted as in (c), change the Oscillator output to the control grid cap of the RCA-6L7 first detector tube. Then adjust the first i-f transformer trimmers C-24 and C-25 so that the forward and reverse waves appearing on the Oscilloscope coincide throughout their lengths and have maximum amplitude. The shape of the composite wave obtained from this operation is a true representation of the overall tuning characteristic of the i-f system. Each trimmer of the entire group should then be checked to assure that it is in correct alignment as indicated by the degree of coincidence and relative amplitude of the image on the Oscilloscope screen.

#### R-F Trimmer Adjustments

Locations of the various antenna, detector and oscillator coil trimmers are shown by Figure 6. The test Oscillator should be removed from connection with the i-f system and its output connected to the antenna-ground terminals of the receiver. No changes are to be made in the connections of the Oscilloscope at the second detector. During the following adjustments, the Oscillator output should be regulated as often as is necessary to keep the oscillographic image as low as is practically observable. Adherence to such a procedure will obviate the broadness of tuning that would result from a.v.c. action on a stronger signal. Proceed with the adjustments as follows:—

#### Calibration

Set the receiver range switch to Band A and rotate the station selector until the tuning condenser plates are in full mesh (maximum capacitance). Then move the main dial pointer until it points exactly to the horizontal line at the low frequency end of the Band A scale.

### Band A

(a) With the receiver range switch in its Band A position, tune the station selector until the dial pointer is at a reading of 1720 kc. Adjust the test Oscillator to 1720 kc. (modulation "On" and Frequency Modulator disconnected) and increase its output to produce a registration on the Oscillograph. Carefully align the oscillator, detector and antenna trimmers C-20, C-10 and C-3 respectively, so that each brings about maximum amplitude of output as shown by the wave on the Oscillograph. It will be necessary to have the timing control of the Oscillograph on "Int." for this operation. After each trimmer has been peaked, the Oscillograph timing control should be set to "Ext." and the Frequency Modulator placed into operation with its connections to the Oscillator and Oscillograph made in accordance with Figure 5. Turn the modulation switch of the Oscillator to "Off" and retune the Oscillator (increase frequency) until the forward and reverse waves show on the Oscillograph and become coincident at their highest points. Adjust the trimmers C-20, C-10 and C-3 again, setting each to the point which

produces the best coincidence and maximum amplitude of the wave images.

(b) Remove the Frequency Modulator cable from the Oscillator and shift the signal frequency to 600 kc. Place the modulation switch to "On". Tune the receiver to pick up this signal, disregarding the dial reading at which it is best received. Then insert the Frequency Modulator plug and retune the Oscillator (modulation "Off") until the two similar forward and reverse waves appear on the screen. For this adjustment, it is advisable to shift the Oscillator to its 200—400 kc. range and use the third harmonic of the generated signal in order to obtain the desired range of sweep. The oscillator series trimmer C-19 should then be adjusted to produce maximum amplitude of the images. No rocking will be necessary on the station selector inasmuch as the signal frequency is being "wobbled" by the Frequency Modulator to produce the same effect. After completing this adjustment the trimmer C-20 should be re-aligned as in (a) to correct for any change brought about by the adjustment of C-19.

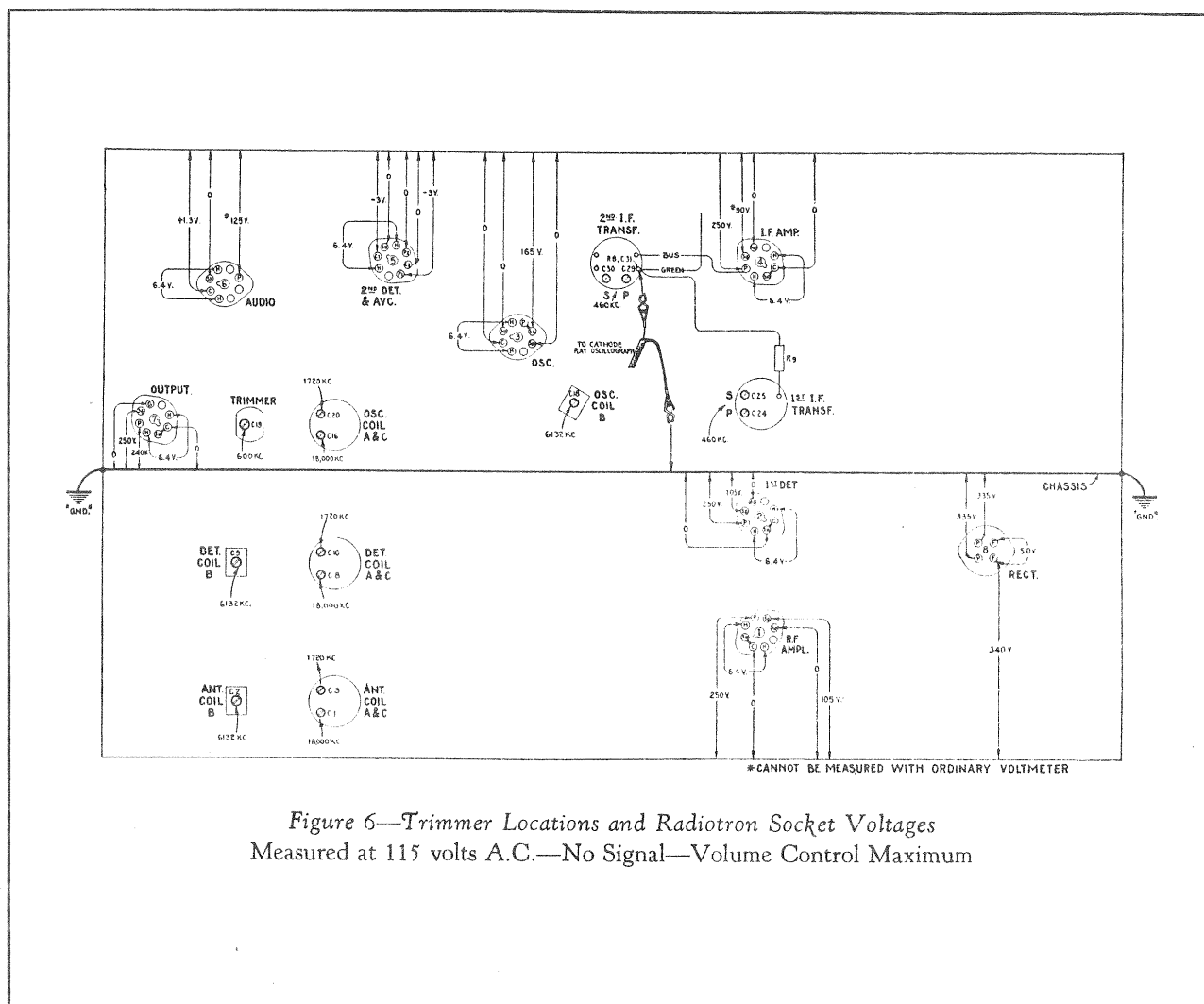


Figure 6—Trimmer Locations and Radiotron Socket Voltages  
Measured at 115 volts A.C.—No Signal—Volume Control Maximum

### Band B

- (a) Advance the receiver range switch to its Band B position and tune the station selector to a dial reading of **6132 kc.** Set the test Oscillator to this same frequency (modulation "On" and Frequency Modulator disconnected) and increase its output until a suitable indication is apparent on the Oscillograph. The Oscillograph should be adjusted for "Int." timing. Then adjust the oscillator trimmer C-18 to the point at which maximum amplitude of the image is obtained. Two positions will be found for this trimmer which gives such a maximum. The one of least capacitance is correct and should be used. This can be checked by tuning the "image" signal, which will be received at **5212 kc.** on the dial if the adjustment of C-18 has been properly made. An increase in test Oscillator output may be necessary for this test, however, its frequency should not be changed from **6132 kc.** nor any trimmer adjustments made on the receiver.
- (b) Return the station selector to the **6132 kc.** reading and align the detector, and antenna coil trimmers, C-9 and C-2 respectively, for maximum (peak) output as shown by the Oscillograph. No further adjustments are to be made on this band.

### Band C

- (a) Turn the range switch of the receiver to its Band C position and tune the station selector until the dial pointer reads **18,000 kc.** Set the test Oscillator to the same frequency (modulation "On" and Frequency Modulator disconnected) and regulate its output to the level required for convenient observation. Adjust the trimmer C-16 to the point producing maximum output as indicated on the Oscillograph. Check for the presence of the proper "image" signal by tuning the receiver to **17,080 kc.** The **18,000 kc.** signal of the Oscillator will be received at this point if the adjustment of C-16 has been properly made using the position of least capacitance which gives maximum receiver output. It may be necessary to increase the output of the Oscillator in order to get an indication of the "image". *No adjustments should be made during this check.*
- (b) Return the receiver tuning to **18,000 kc.**, realign C-16 if necessary, and then adjust the detector and antenna trimmers, C-8 and C-1, for maximum signal output as evidenced by the oscillographic image. No further adjustments are to be made on this band.

## (2) ALIGNMENT WITH OUTPUT METER

To align the receiver by means of an output indicator other than a Cathode-Ray Oscillograph will require the use of a standard test Oscillator such as that recommended above for the source of signals and means of indication for the output. The RCA Neon Output Indicator, Stock No. 4317 will be found very satisfactory for such use. It should be connected

across the voice coil circuit of the loudspeaker or across the output transformer primary.

### I-F Alignment

Connect the test Oscillator to the control grid cap of the i-f tube. Advance the volume control of the receiver

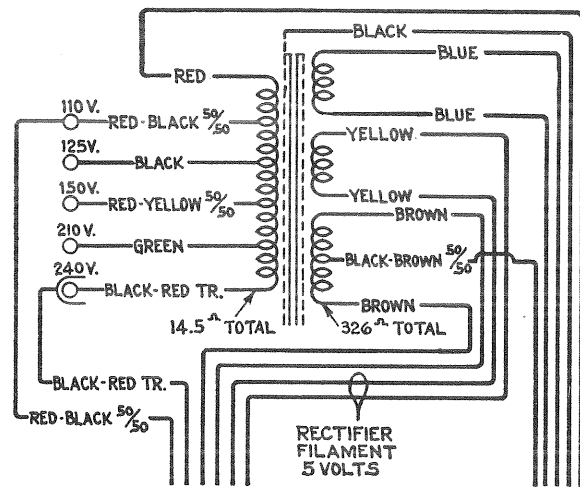


Figure 7—Universal Power Transformer Connections

to its full-on position. Tune the test Oscillator accurately to **460 kc.** and align the trimmers C-29 and C-30 to give maximum receiver output. Regulate the Oscillator output during this adjustment so that the output indication is as small as can be conveniently observed. After completing the adjustments of these trimmers, re-connect the Oscillator so that it will feed into the control grid circuit of the RCA-6L7 first detector. Then tune the first i-f transformer trimmers C-24 and C-25 for maximum receiver output.

### R-F Alignment

After completing the i-f adjustments, it is advisable to correct the line-up of the circuits ahead of the first detector. The test Oscillator should be connected to the antenna-ground terminals of the receiver and the manual volume control kept at its maximum position. For each adjustment the Oscillator output should be maintained as low as possible in order to avoid broadness of tuning which would result from a.v.c. action on a stronger signal. **Band A** should be aligned by supplying a **1720 kc.** signal to the receiver, tuning the station selector to a dial reading of **1720** and adjusting the trimmers C-20, C-10 and C-3 to produce maximum receiver output. The Oscillator should then be shifted to **600 kc.** and the receiver tuned to resonate this signal, disregarding the reading at which it is best received. Trimmer C-19 must then be adjusted, simultaneously while rocking the station selector backward and forward through the signal until the maximum output results from the combined operations. C-20 should be rechecked to assure that its adjustment has not changed because of the trimming of C-19. **Band B** must be aligned at **6132 kc.** by tuning the test Oscillator to such a frequency and turning the station selector to the same dial reading. Tune the trimmer C-18 to produce maximum receiver output, using the



setting of least capacitance which causes same. The presence of the proper "image" may be checked by tuning the receiver to 5212 kc. at which point the 6132 kc. signal will be heard if the trimmer C-18 has been properly set to the position of least capacitance for maximum (peak) output. It may be necessary to increase the Oscillator output for this check. *No adjustments are to be made.* Return the station selector to the 6132 kc. dial marking and trim capacitors C-9 and C-2 for maximum receiver output. No other adjustments are necessary on Band B. Change the receiver so that it is operative and the dial reads 18,000 kc. on the "C" Band. Tune the test Oscillator to this same frequency. Then adjust the oscillator trimmer C-16 to produce maximum (peak) output. Two positions of this trimmer will be found which conform with this requirement. The one of least capacitance is correct. Check for the presence of "image" response at 17,080 kc. by shifting the receiver tuning. If it is received at such a point, the trimmer C-16 has been correctly adjusted to the right peak. *No adjustments are to be made during this check.* Tune the receiver back to the 18,000 kc. dial marking, re-adjust C-16 if necessary, and then tune the detector and antenna capacitors C-1 and C-8 for maximum receiver output. No further adjustments are necessary.

### Radiotron Socket Voltages

The voltage values indicated from the Radiotron

socket contacts to chassis on Figure 6 will serve to assist in the location of causes for faulty operation. Each value as specified should hold within  $\pm 20\%$  when the receiver is normally operative at its rated supply voltage. Variations in excess of this limit will usually be indicative of trouble in the basic circuits. The voltages given are actual operating values and do not allow for inaccuracies which may be caused by the loading effect of a voltmeter's internal resistance. This resistance should be duly considered for all readings. The amount of circuit resistance shunting the meter during measurement will determine the accuracy to be obtained, the error increasing as the meter resistance becomes comparable to or less than the circuit resistance. For the majority of readings, a meter having an internal resistance of 1000 ohms per volt will be satisfactory when the range used for each reading is chosen as high as possible consistent with good readability.

### Universal Transformer

The transformer used on some models of these receivers is adaptable to several ranges of voltage as given under rating C of Electrical Specifications. Its schematic and wiring are shown by Figure 7. Terminals are provided at the top of the transformer case for changing the primary connections to suit the voltage being used.

## REPLACEMENT PARTS

Insist on genuine factory tested parts, which are readily identified and may be purchased from authorized dealers.

STOCK No.	DESCRIPTION	LIST PRICE	STOCK No.	DESCRIPTION	LIST PRICE
<b>RECEIVER ASSEMBLIES</b>					
4427	Bracket—Volume control or high frequency tone control mounting bracket.....	\$0.18	5170	Capacitor—0.25 Mfd. (C23, C28, C36)....	\$0.25
5237	Bushing—Variable tuning condenser mounting bushing assembly—Package of 3....	.43	11248	Capacitor—4 Mfd. (C41).....	1.06
11350	Cap—Contact cap—Package of 5.....	.20	11240	Capacitor—10 Mfd. (C39).....	1.08
11223	Capacitor—Adjustable capacitor (C19)....	.46	5212	Capacitor—18 Mfd. (C40).....	1.16
11292	Capacitor—22 MMfd. (C7).....	.24	11272	Clamp—Antenna cable clamp—Located near antenna terminal.....	.10
11321	Capacitor—33 MMfd. (C33).....	.26	4748	Clamp—Capacitor mounting clamp assembly—for stock #11248.....	.15
11289	Capacitor—50 MMfd. (C11).....	.26	5215	Coil—Antenna coil (A and C Bands)—(L1, L2, L3, L6, C1, C3).....	2.32
11291	Capacitor—115 MMfd. (C21).....	.24	5245	Coil—Antenna coil (B Band)—(L3, L4, C2).....	1.58
5116	Capacitor—175 MMfd. (C35).....	.18	5216	Coil—Detector coil (A and C Bands)—(L7, L8, L11, L12, C8, C10).....	2.34
4409	Capacitor—1120 MMfd. (C38).....	.35	5246	Coil—Detector coil (B Band)—L9, L10, C9).....	1.62
11288	Capacitor—1225 MMfd. (C17).....	.30	5217	Coil—Oscillator coil (A and C Bands)—(L13, L15, C16, C20).....	2.20
11287	Capacitor—4500 MMfd. (C15).....	.30	5247	Coil—Oscillator coil (B Band)—(L14, C18)	1.44
4868	Capacitor—0.005 Mfd. (C34, C44).....	.20	11214	Condenser—3-Gang variable tuning condenser (C5, C14, C22).....	4.20
4624	Capacitor—0.01 Mfd. (C32).....	.54	11238	Tone Control—High frequency tone control (R20).....	.96
4858	Capacitor—0.01 Mfd. (C37).....	.25			
5196	Capacitor—0.035 Mfd. (C43).....	.18			
4836	Capacitor—0.05 Mfd. (C4, C13, C26)....	.30			
4885	Capacitor—0.1 Mfd. (C6, C12, C27).....	.28			

## REPLACEMENT PARTS—CONT'D

STOCK No.	DESCRIPTION	LIST PRICE	STOCK No.	DESCRIPTION	LIST PRICE
11237	Volume Control—(R11) . . . . .	\$1.20	4377	Spring—Band indicator operating arm spring	
4340	Lamp—Dial lamp—Package of 5 . . . . .	.60		—Package of 5 . . . . .	\$0.25
11710	Lead—Shielded lead for antenna . . . . .	.40	4378	Stud—Band indicator operating arm stud	
8041	Plate—R.F. or I.F. coil shield locking plate—			and nut assembly—Package of 5 . . . . .	.25
	Package of 2 . . . . .	.12			
11244	Resistor—Voltage divider resistor, compris-			<b>MISCELLANEOUS ASSEMBLIES</b>	
	ing one 7500 ohm and one 9200 ohm				
	section—(R18, R19) . . . . .	1.08	11337	Escutcheon—Station selector escutcheon . . .	.70
11245	Resistor—Voltage divider resistor, compris-		6614	Glass—Station selector dial glass . . . . .	.30
	ing one 148 ohm, one 32 ohm and one		11346	Knob—Station selector knob—Package of 5 .	.75
	110 ohm section—(R15, R16, R17) . . . . .	.62	11347	Knob—Volume control, tone control, range	
5112	Resistor—1000 Ohm—Carbon Type— $\frac{1}{4}$			switch or power switch knob—Package	
	Watt—(R2)—Package of 5 . . . . .	1.00		of 5 . . . . .	.75
5114	Resistor—15,000 Ohm—Carbon Type—1		11246	Foot—Chassis mounting foot and bracket	
	Watt—(R5) . . . . .	.22		assembly—Package of 2 . . . . .	.76
11300	Resistor—33,000 Ohm—Carbon Type— $\frac{1}{10}$		4678	Ring—Spring retaining ring for dial glass—	
	Watt—(R4)—Package of 5 . . . . .	.75		Package of 5 . . . . .	.34
11322	Resistor—39,000 Ohm—Carbon Type— $\frac{1}{4}$		11210	Screw—Chassis mounting screw assembly—	
	Watt—(R10)—Package of 5 . . . . .	1.00		Package of 4 . . . . .	.28
5029	Resistor—56,000 Ohm—Carbon Type— $\frac{1}{4}$		11348	Screw—No. 8-32-7/16" headless cupped	
	Watt—(R13)—Package of 5 . . . . .	1.00		point set screw for knob, stock #11346—	
3118	Resistor—100,000 Ohm—Carbon Type— $\frac{1}{4}$			Package of 10 . . . . .	.32
	Watt—(R1, R3, R6)—Package of 5 . . . . .	1.00	11349	Spring—Retaining spring for knob, stock	
11323	Resistor—270,000 Ohm—Carbon Type— $\frac{1}{4}$			#11347—Package of 5 . . . . .	.15
	Watt—(R12)—Package of 5 . . . . .	1.00			
11172	Resistor—470,000 Ohm—Carbon Type— $\frac{1}{4}$			<b>REPRODUCER ASSEMBLIES</b>	
	Watt—(R14)—Package of 5 . . . . .	1.00		Table Model	
11151	Resistor—2.2 Megohms—Carbon Type— $\frac{1}{4}$				
	Watt—(R9)—Package of 5 . . . . .	1.00	11232	Board—Terminal board with two lead wire	
5249	Shield—Antenna, detector or oscillator coil			clips . . . . .	.18
	shield . . . . .	.20	11231	Bolt—Yoke and core assembly bolt and nut.	.16
5250	Shield—Intermediate frequency transformer		8060	Bracket—Output transformer mounting	
	shield . . . . .	.22		bracket . . . . .	.14
11273	Shield—Rectifier Radiotron shield . . . . .	.25	11257	Clamp—Cone center suspension clamping	
11222	Socket—Dial lamp socket . . . . .	.18		nut and screw assembly—Package of 5 . .	.25
4794	Socket—4-contact rectifier Radiotron socket.	.15	11254	Coil—Field coil—(L20) . . . . .	2.00
11313	Socket—5-contact Radiotron socket . . . . .	.18	11233	Coil—Neutralizing coil (L21) . . . . .	.30
11198	Socket—7-contact Radiotron socket . . . . .	.15	11235	Cone—Reproducer cone—(L22)—Package	
11236	Switch—Band switch (S1, S2, S3, S4, S5,			of 5 . . . . .	3.50
	S6, S7, S8, S9, S10, S11) . . . . .	2.44	5119	Connector—3-contact female connector for	
11133	Switch—Power switch—(S12) . . . . .	.62		reproducer cable . . . . .	.25
5238	Terminal—Antenna terminal clip assembly.	.14	5118	Connector—3-contact male connector for re-	
11216	Transformer—First intermediate frequency			producer . . . . .	.25
	transformer (L16, L17, C24, C25) . . . . .	2.15	9618	Reproducer—Complete . . . . .	6.40
11239	Transformer—Second intermediate frequency		11253	Transformer—Output transformer—(T2) . .	1.56
	transformer—(L18, L19, C29, C30, C31,		11230	Washer—"Binders board" "C" washer—	
	R7, R8) . . . . .	2.72		used to hold field coil securely—Package	
11241	Transformer—Power transformer—105-125			of 5 . . . . .	.18
	volts—50-60 cycles (T1) . . . . .	4.56			
11242	Transformer—Power transformer—105-125			<b>REPRODUCER ASSEMBLIES</b>	
	volts—25-60 cycles . . . . .	6.52		Console Model	
11243	Transformer—Power transformer—100-130,		11232	Board—Terminal board assembly with two	
	140-160, 195-250 volts—40-60 cycles . . .	4.64		lead wire clips . . . . .	.18
			11231	Bolt—Yoke and core assembly bolt and nut.	.16
	<b>DRIVE ASSEMBLIES</b>		8060	Bracket—Output transformer mounting	
4362	Arm—Band indicator operating arm . . . . .	.28		bracket . . . . .	.14
10194	Ball—Steel ball—Used with winding shaft—		11257	Clamp—Cone center suspension clamping	
	Package of 20 . . . . .	.25		nut and screw assembly—Package of 5 . .	.25
4422	Clutch—Tuning condenser drive clutch as-		11254	Coil—Field coil—L20 . . . . .	2.00
	sembly—comprising drive shaft, balls,		11233	Coil—Hum neutralizing coil—L21 . . . . .	.30
	ring, spring and washers—assembled . . . .	1.00	11258	Cone—Reproducer cone—L22—Package of	
11328	Dial—Dial scale . . . . .	.68		5 . . . . .	3.85
11252	Drive—Variable tuning condenser drive		5118	Connector—3-contact male connector for re-	
	assembly . . . . .	1.88		producer . . . . .	.25
11225	Indicator—Band indicator pointer . . . . .	.18	5119	Connector—3-contact female connector plug	
4520	Indicator—Station selector indicator pointer.	.18		for reproducer cable . . . . .	.25
11226	Link—Band indicator operating link and		9619	Reproducer—Complete . . . . .	6.05
	arm assembly—less pointer . . . . .	.20	11253	Transformer—Output transformer—T2 . . .	1.56
3993	Screw—No. 6-32-5/32" square set screw for		11230	Washer—"Binders board" "C" washer used	
	band indicator operating arm—Package			to hold field coil assembly . . . . .	.18
	of 10 . . . . .	.25			
4669	Screw—No. 8-32-5/32" set screw for vari-				
	able condenser drive assembly—Package				
	of 10 . . . . .	.25			