

RCA VICTOR MODEL D22-1A AND SUPPLEMENTS TO RCA VICTOR MODELS T6-1, C6-2, D9-19, D11-2, and T11-8 TECHNICAL INFORMATION AND SERVICE DATA

Models T6-1 and C6-2 (with metal rectifier)

Service Data for Models T6-1 and C6-2 are directly applicable to these instruments except as follows:

- (1) The schematic and wiring diagrams for metal rectifier socket are shown by figures 1 and 2.
- (2) Washer Stock No. 11886 should be used for replacement instead of Stock No. 11230 in all Models T6-1 and C6-2. See parts list herein for description and price.
- (3) Refer to Substitute and Additional Replacement Parts contained herein for other parts changes.

Model D9-19 (with low-frequency tone control and metal Rectifier)

Service Data for Model D9-19 are directly applicable to these instruments except as follows:

- (1) The schematic and wiring diagrams for Model D9-19 (with low-frequency tone control and metal rectifier) are shown by figures 6 and 7.
- (2) Washer Stock No. 11886 should be used for replacement instead of Stock No. 11230 in all Models D9-19. See parts list herein for description and price.
- (3) Bracket Stock No. 13615 should be used for replacement instead of Stock Nos. 11191 and 11192 in all Models D9-19. See parts list herein for description and price.
- (4) Refer to Substitute and Additional Replacements Parts contained herein for other parts changes.

Model D11-2 (with metal rectifier and capacitor phonograph motor)

Service Data for Model D11-2 are directly applicable to these instruments except as follows:

- (1) The schematic and wiring diagrams for metal rectifier socket are shown by figures 1 and 2.
- (2) The phonograph motor is of the capacitor type. Light machine oil should be used to lubricate the motor bearings. The motor is wired in this instrument as follows: One power-supply lead connects to one terminal of switch S-14. The other terminal of S-14 connects to one terminal of the brake switch S-15. The other terminal of S-15 connects to the yellow motor lead. The green motor lead connects to one lead of the motor capacitor. The red motor lead connects to the other capacitor lead and also to the remaining power-supply lead.
- (3) Change description of Stock No. 8053 to read: Indicator—Station selector vernier indicator pointer—\$0.12.
- (4) Stock No. 11793 applies to all Models D11-2. See parts list herein for description and price.

- (5) Change price of Stock No. 11541 Arm—Eject arm from \$0.82 to \$8.15.
- (6) Change description of Stock No. 9620 to read: Reproducer, complete (without cloth screen) \$16.32.
- (7) Refer to Substitute and Additional Replacement Parts contained herein for other parts changes.

Model T11-8 (with metal rectifier)

Service Data for Model T11-8 are directly applicable to these instruments except as follows:

- (1) The schematic and wiring diagrams for metal rectifier socket are shown by figures 1 and 2.
- (2) Refer to Substitute and Additional Replacement Parts contained herein for other parts changes.

Model D22-1A

Service Data for Model D22-1 are directly applicable to these instruments except as follows:

- (1) The schematic circuit diagram for Model D22-1A is shown by figure 5.
- (2) The metal rectifier socket wiring for tube No. 14 is shown by figure 2.
- (3) Figure 3 shows the Pickup details.
- (4) The phonograph motor is of the capacitor type. Light machine oil should be used to lubricate the motor bearings. The motor is wired in this instrument as follows: One power-supply lead connects to one terminal of switch S201. The other terminal of S201 connects to one terminal of the brake switch S202. The other terminal of S202 connects to the yellow motor lead. The green motor lead connects to one lead of the motor capacitor. The red motor lead connects to the other capacitor lead and also to the remaining power-supply lead.
- (5) The Radiotron socket voltages (figure 4 herein) apply to all Models D22-1 or D22-1A and should be used in place of figure 4 of the D22-1 Service Data.
- (6) The resistor assembly R44 and R45 is mounted on the front chassis apron instead of the rear chassis apron.
- (7) Change price on Stock No. 11879 Transformer from \$3.50 to \$8.15.
- (8) Change price on Stock No. 11541 Arm from \$0.82 to \$8.15.
- (9) Change price on Stock No. 11480 Microphone from \$7.05 to \$7.50.
- (10) Refer to Substitute and Additional Replacement Parts contained herein for other parts changes.

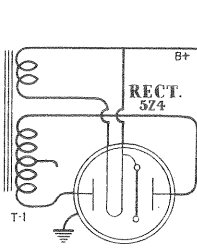


Figure 1

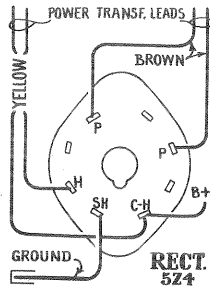


Figure 2

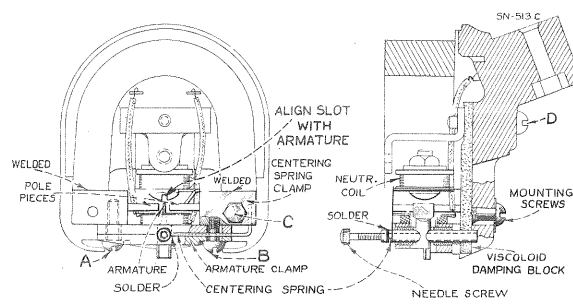


Figure 3—Pickup Details (D-22-1A)

Substitute and Additional Replacement Parts

Insist on genuine factory-tested parts, which are readily identified and may be purchased from authorized dealers.

STOCK No.	DESCRIPTION	LIST PRICE	STOCK No.	DESCRIPTION	LIST PRICE
	Models T6-1 and C6-2 (with metal rectifier)		12051	Capacitor—2-mfd. motor capacitor, complete with cable and 2-contact male connector	4.18
8072	Resistor—33,000 ohms—Carbon type— $\frac{1}{2}$ watt—(R4)—Package of 5	1.00	9650	Motor—105-125 volts—60 cycles (M1)	35.35
3118	Resistor—100,000 ohms—Carbon type— $\frac{1}{4}$ watt—(R3)—Package of 5	1.00	9651	Motor—105-125 volts—50 cycles (M1)	35.35
11848	Transformer—Power transformer—105-125 volts—50-60 cycles—(T1)	4.40	12037	Filter—Filter pack for phonograph (used in some models)	1.72
11849	Transformer—Power transformer—105-125 volts—25-50 cycles	5.70	9652	Reproducer complete (with cloth screen)	16.32
11850	Transformer—Power transformer—100-130/140-160/195-250 volts—40-60 cycles	8.00	12050	Suspension spring—Motor mounting spring, washer, and stud assembly—comprising six springs, six cup washers, three spring washers and three studs	.60
11886	Washer—Spring washer—Used to hold field coil securely—Package of 5 Stock Nos. 4841 (C23), 11283, 3066, 5029, 5158, 11383, 11458, 11585, and 11584 are not used in chassis having metal rectifier.	.20		Stock Nos. 4858, 11273, 4794, 9012, 9014, 9011 and 4562 are not used in chassis having metal rectifier.	
	Model D9-19 (with metal rectifier)			Model T11-8 (with metal rectifier)	
5170	Capacitor—0.25 mfd. (C51)	.25	11195	Socket—Five-contact rectifier Radiotron socket Stock No. 4794 is not used in chassis having metal rectifier.	.15
11329	Resistor—Voltage divider resistor, comprising one 148-ohm, one 32-ohm, and one 85-ohm section (R15, R16, R17)	.52		Model D22-1A (use replacement parts from D22-1 except as listed below)	
5033	Resistor—33,000 ohms—Carbon type—1 watt—(R51)—Package of 5	1.10	13405	Armature—Pickup armature	.95
5029	Resistor—56,000 ohms—Carbon type— $\frac{1}{4}$ watt—(R68)—Package of 5	1.00	4870	Capacitor—.025 mfd. (C47)	.20
3118	Resistor—100,000 ohms—Carbon type— $\frac{1}{4}$ watt—(R50)—Package of 5	1.00	11195	Socket—Five-contact Rectifier Radiotron socket for tube No. 14	.15
11195	Socket—Five-contact rectifier Radiotron socket	.15	11887	Transformer—Power transformer—105-125 volts—25-50 cycles	6.95
5224	Switch—Low-frequency tone control and power switch (S12, S15)	1.00	11880	Transformer—Power transformer—105-125 volts—50-60 cycles—(T1)	5.80
11804	Transformer—Power transformer—105-125 volts—25-60 cycles	6.02	12051	Capacitor—2-mfd. complete with 2-contact male connector for use with motor Stock Nos. 9650 or 9651—(C217)	4.18
11805	Transformer—Power transformer—100-130/140-160/195-250 volts—40-60 cycles—(T1)	7.95	13101	Capacitor—4-mfd. complete with 2-contact male connector for use with motor Stock No. 9735—(C217)	5.05
11886	Washer—Spring washer used to hold field coil securely—Package of 5	.20	4674	Connector—2-contact male connector for capacitor Stock No. 12051 or 13101	.25
13615	Bracket—Tuning tube mounting bracket and clamp assembly Stock Nos. 4858 (C50*), 11248, 4748, 11245, 11273, 4794, 11133, 11242, 11243, 11230, 11191, and 11192 are not used in chassis having metal rectifier.	.25	9735	Motor—105-125 volts—25 cycles—(M1)	49.50
	Model D11-2 (with metal rectifier)		9651	Motor—105-125 volts—50 cycles—(M1)	35.35
11195	Socket—Five-contact rectifier Radiotron socket	.15	9650	Motor—105-125 volts—60 cycles—(M1)	35.35
11793	Indicator—Station selector indicator pointer	.15	12050	Suspension Spring—Motor mounting spring, washer, and stud assembly—comprising six springs, six cup washers, three spring washers and three studs	.60
			11997	Capacitor—75 mmfd.—(C216)	.14
			12352	Filter—Microphone and pickup input filter pack—(L307, C218, R223) Stock Nos. 4858 (C47), 11273, 4794 (tube 14), 8062, 8061, 9479, 9478, 9477, and 4562, are not used in Model D22-1A.	1.85

The prices quoted above are subject to change without notice.

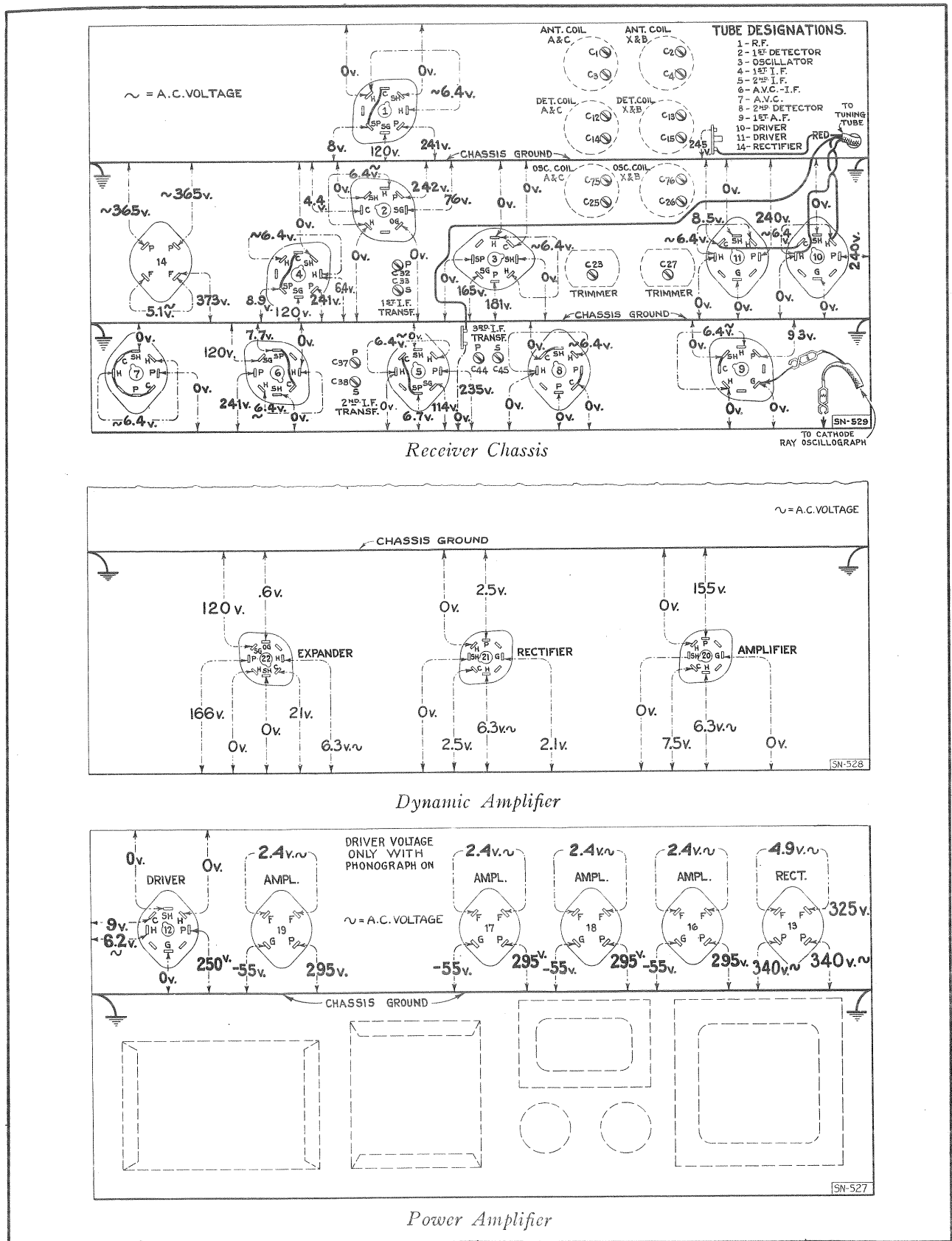
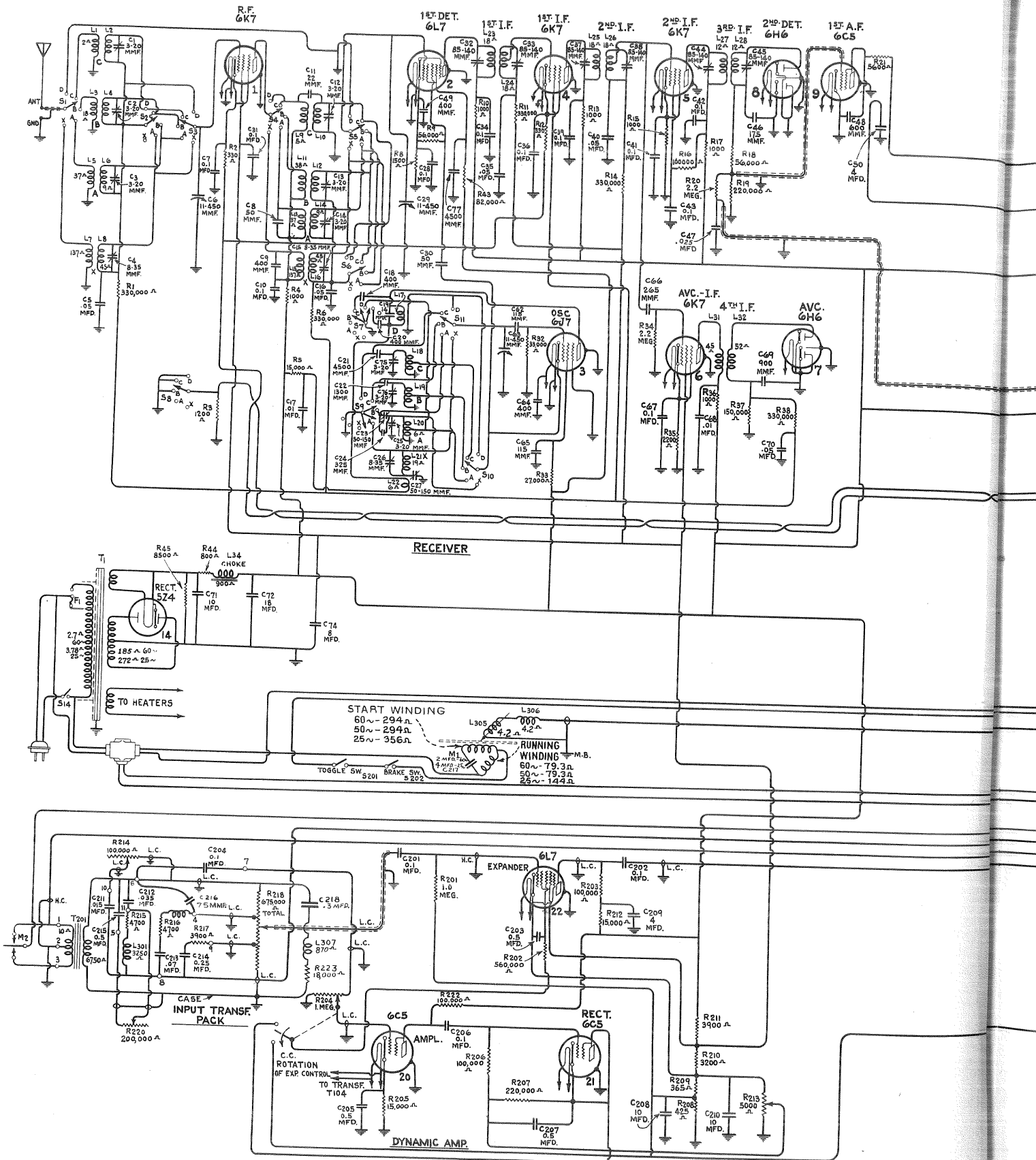


Figure 4—Radiotron Socket Voltages (D22-1 and D22-1A)
 Measured at 115 volts, 60-cycle supply—No signal being received



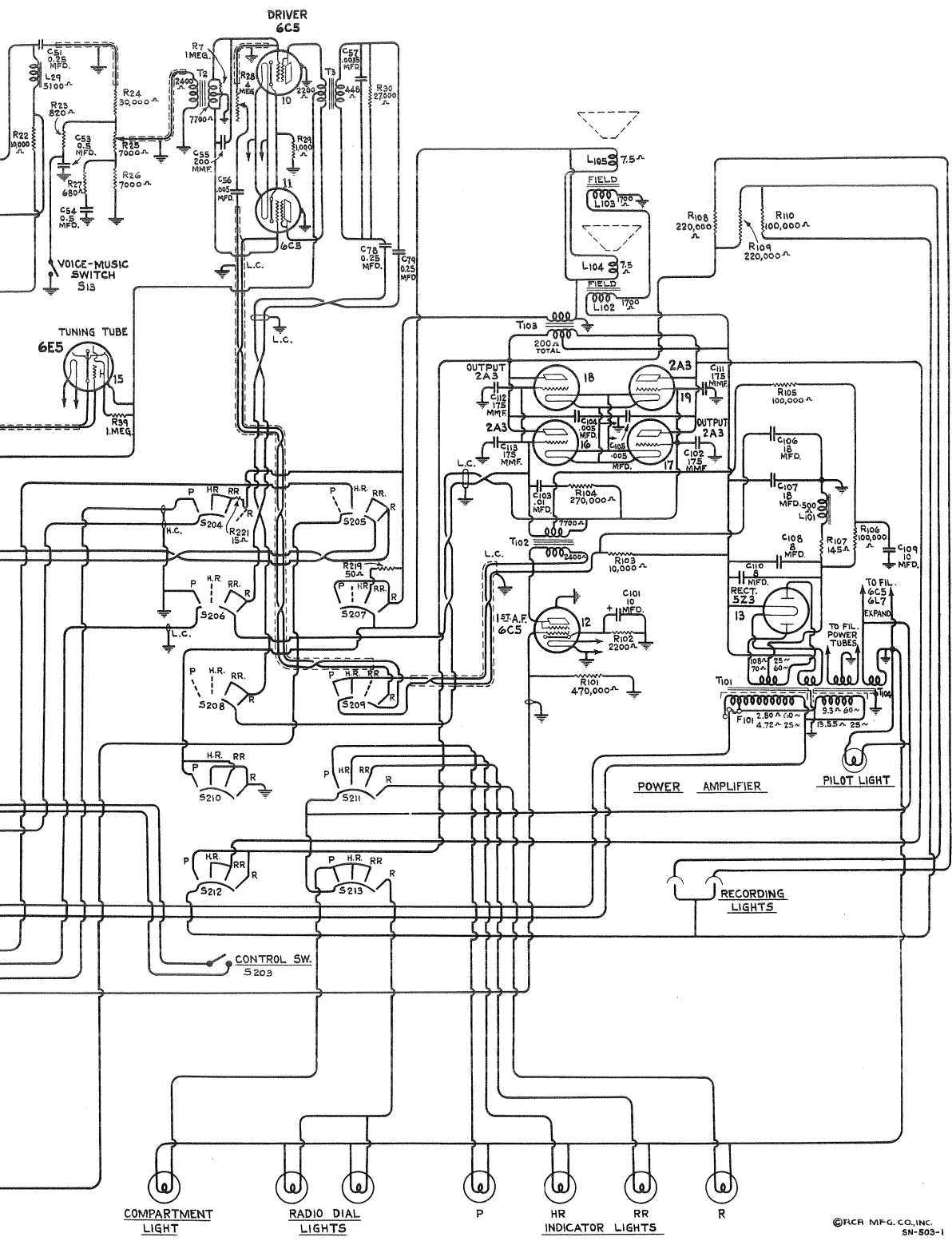


Figure 5—Schematic Circuit Diagram
(Model D22-1A)

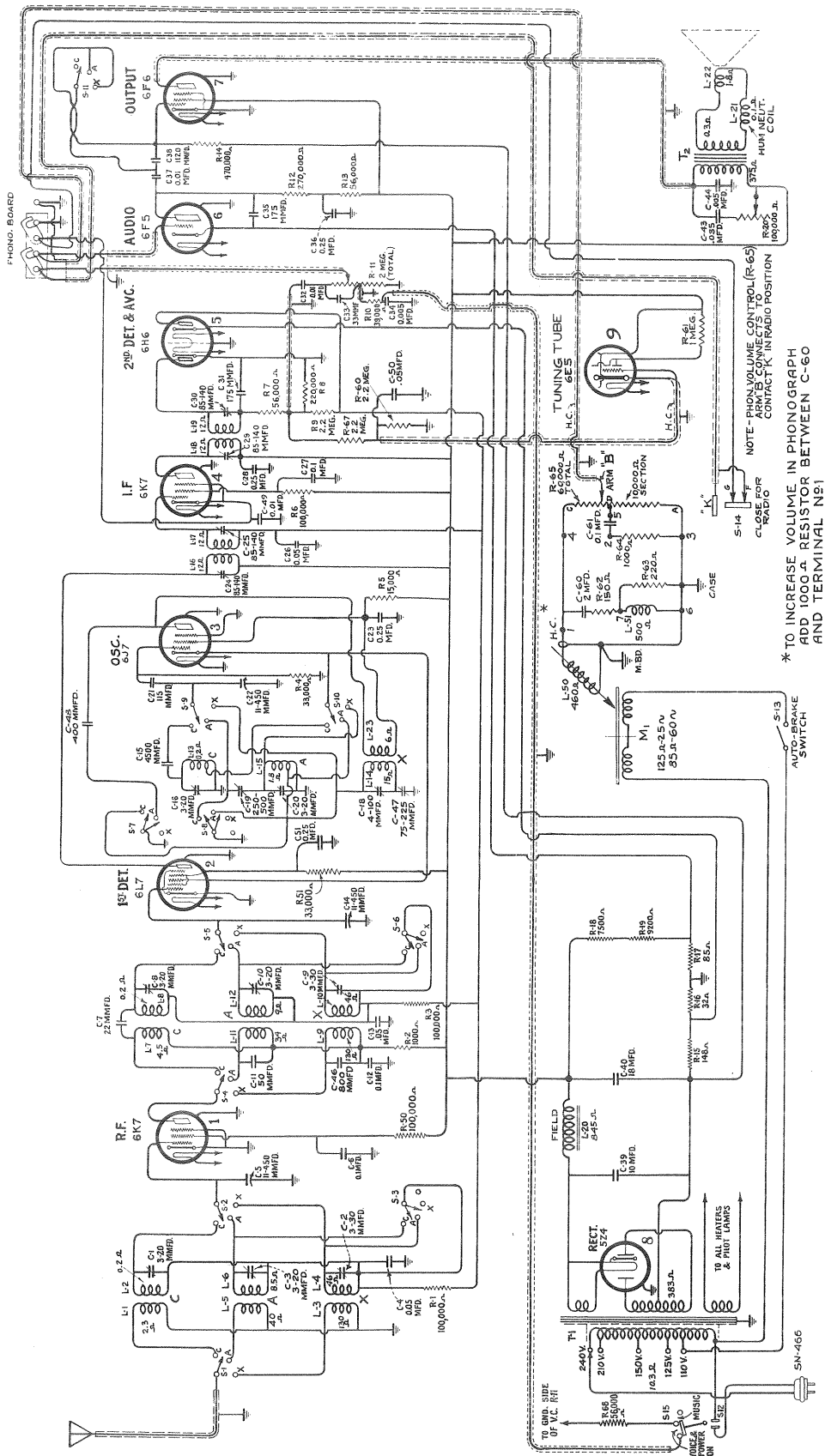


Figure 6—Schematic Circuit Diagram (Model D9-19 with metal rectifier and low-frequency tone control)

