

RCA VICTOR MODELS T7-12 and C7-14

Seven-Tube, Three-Band, A-C, Superheterodyne Receivers

TECHNICAL INFORMATION

Electrical Specifications

RADIOTRON COMPLEMENT

- (1) RCA-6A8.....First Detector—Oscillator
 (2) RCA-6K7.....Intermediate Amplifier
 (3) RCA-6H6.....Second Detector—A.V.C.
 (4) RCA-6F5.....Audio Voltage Amplifier

- (5) RCA-6F6.....Audio Power Amplifier
 (6) RCA-5Z4.....Full Wave Rectifier
 (7) RCA-6E5.....Tuning Indicator

FREQUENCY RANGES

- Band A.....540—1,625 kc.
 Band B.....1,625—5,700 kc.
 Band C.....5,700—18,000 kc.

ALIGNMENT FREQUENCIES

- Band A.....600 kc. (osc.), 1,400 kc. (osc., ant.)
 Band B.....None required
 Band C.....18,000 kc. (osc., ant.)

Intermediate Frequency

.....460 kc.

POWER SUPPLY RATINGS

- Rating A.....105—125 volts, 50—60 cycles, 90 watts
 Rating B.....105—125 volts, 25—60 cycles, 90 watts
 Rating C.....100—130/140—160/195—250 volts, 40—60 cycles, 90 watts

POWER OUTPUT

- Undistorted.....2.0 watts
 Maximum.....4.5 watts

LOUDSPEAKER

- Type.....Electrodynamic
 Voice Coil Impedance.....2.25 ohms at 400 cycles

Mechanical Specifications

- Chassis Base Dimensions.....12 inches x 7 inches x 2 1/2 inches
 Tuning Drive Ratio.....10 to 1 and 50 to 1

MODEL T7-12

- Height.....24 5/8 inches
 Width.....14 7/8 inches
 Depth.....11 inches
 Weight (Net).....24 pounds
 Weight (Shipping).....28 pounds

MODEL C7-14

- Height.....40 7/8 inches
 Width.....26 1/2 inches
 Depth.....13 3/8 inches
 Weight (Net).....43 pounds
 Weight (Shipping).....55 1/2 pounds

General Description

These two models are similar to RCA Victor Models T6-1 and C6-2 respectively. The changes consist of (1) the addition of an RCA-6E5 Tuning Indicator, (2) an RCA-5Z4 all-metal rectifier used in place of the RCA-80, and (3) new cabinet design. All service data for Models T6-1 and C6-2 are directly applicable to these instruments except as follows:

Secondary resistance of Universal Transformer, 355 ohms total.

Tuning Tube Cable voltages: Yellow, 0 v.; Brown, 6.4 v. a-c; Red, 263 v.; and Green, 0 v.

The following parts listed for Models T6-1 and C6-2 are not required: Stock Nos. 4841 (C23), 11615, 11376, 11396, 11283, 5158, 11383, 11458, 11585, 11584, and 11230.

The parts listed below are required in addition to the remaining parts for Models T6-1 and C6-2:

STOCK No.	DESCRIPTION	LIST PRICE	STOCK No.	DESCRIPTION	LIST PRICE
11996	Bracket—Tuning tube mounting bracket and clamp assembly.....	.22	11377	Screw—Chassis mounting screw assembly—Table model—Package of 4.....	.12
11888	Cable—Tuning tube cable, complete with socket.....	1.06	11199	Socket—Dial lamp socket.....	.14
4836	Capacitor—.05 Mfd. (C35).....	.30	11381	Socket—Tuning tube socket and cover... ..	.45
11894	Dial—Station selector dial scale.....	.65	11195	Socket—5-contact rectifier Radiotron socket.....	.15
11276	Escutcheon—Tuning tube escutcheon... ..	.40	11198	Socket—7-contact Radiotron socket.....	.15
11893	Indicator—Station selector indicator pointer.....	.28	11196	Socket—8-contact Radiotron socket.....	.15
11455	Knob—Volume control or power switch knob—Package of 5.....	.48	11349	Spring—Retaining Spring for knob, Stock Nos. 11455 and 11609, and small knob in Stock No. 11610—Package of 5....	.15
11609	Knob—Range switch knob—Package of 5.....	.52	4982	Spring—Retaining spring for large knob in Stock No. 11610—Package of 10... ..	.26
11610	Knob—Station selector knob assembly, comprising one large and one small knob—Package of 5.....	1.00	11848	Transformer—Power transformer—105-125 volts—50-60 cycles (T1).....	4.40
11382	Resistor—1 megohm—carbon type—1/10-watt (R22)—Package of 5.....	.75	11849	Transformer—Power transformer—105-125 volts—25-50 cycles.....	5.70
11626	Resistor—2.2 megohms—carbon type—1/4-watt (R20, R21)—Package of 5....	1.00	11850	Transformer—Power transformer—100-130—140-160—195-250 volts—40-60 cycles.....	8.00
11210	Screw—Chassis mounting screw assembly—Console model—Package of 4.....	.28	11886	Washer—Spring washer used to hold field coil securely—Package of 5.....	.20

The prices quoted above are subject to change without notice.

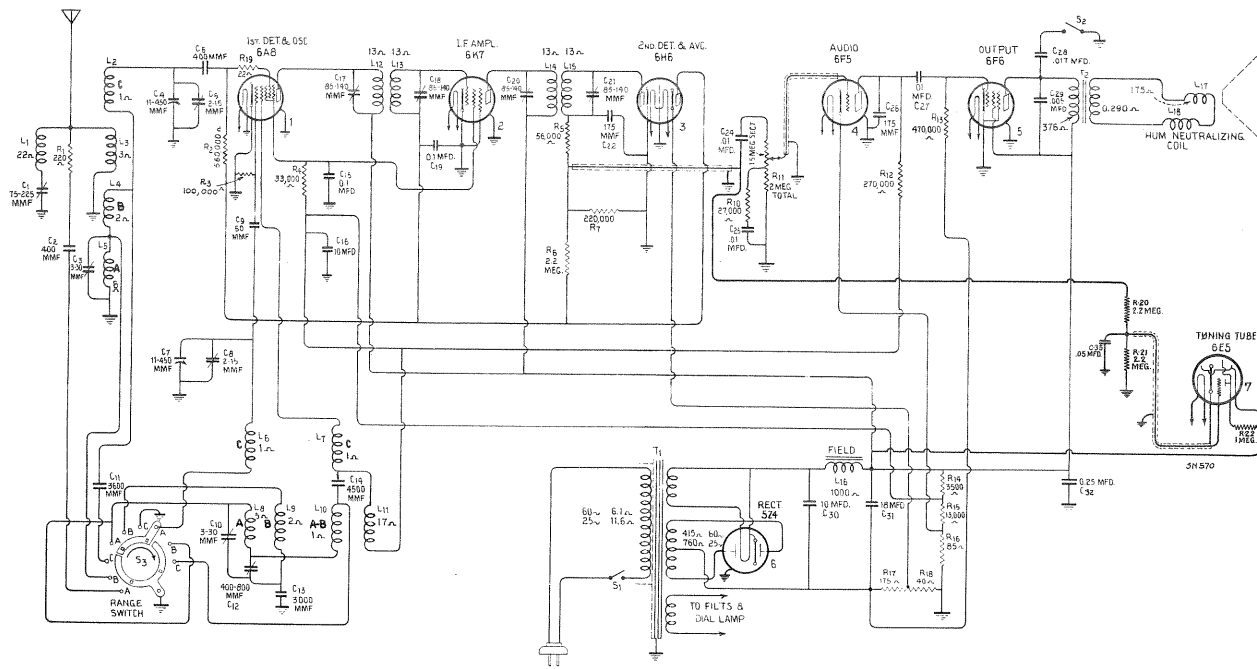


Figure 1—Schematic Circuit Diagram

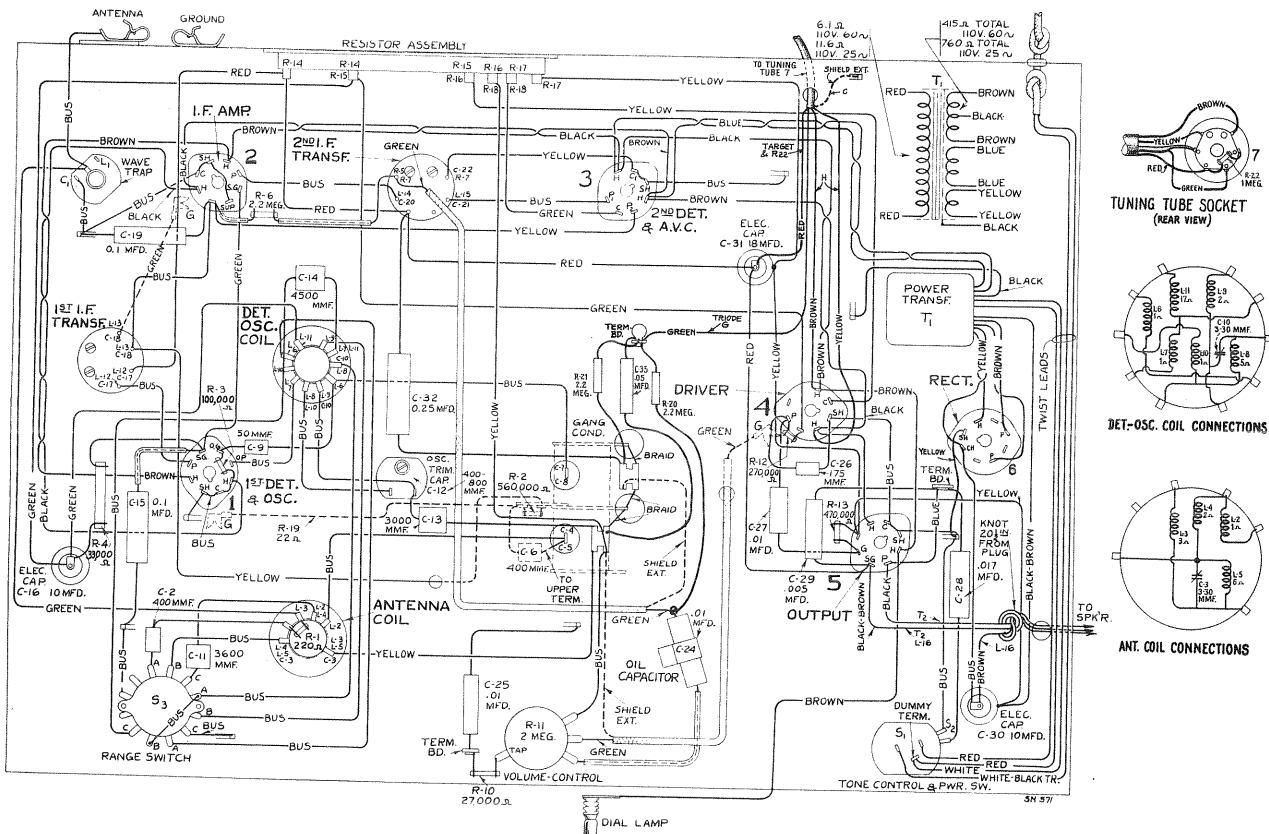


Figure 2—Chassis Wiring Diagram